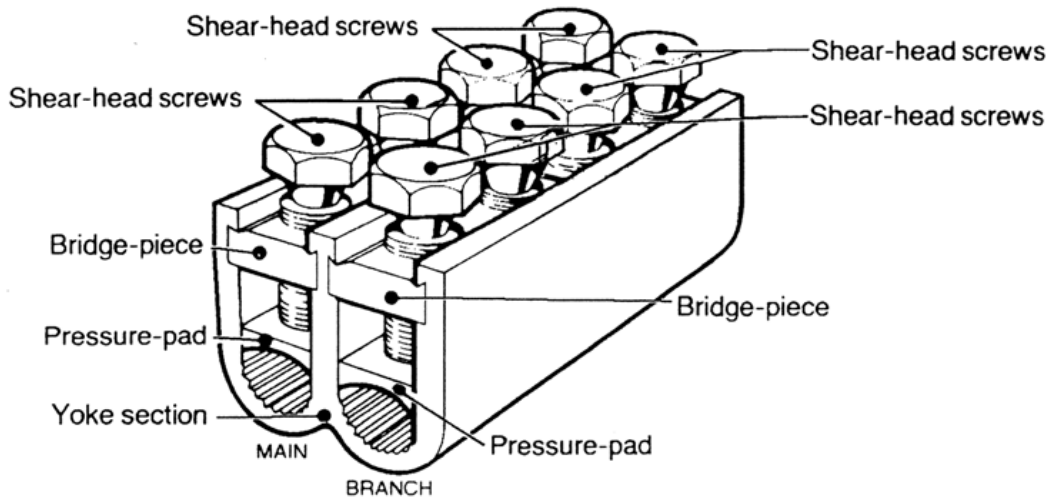


WM6 & WM7 Connectors



Principle Application

Sector shaped stranded/solid conductors in the following ranges: -

Range

Connector reference	Core c.s.a. (mm ²)				Approx Unit Wt. (gms)
	Mains		Double Branch		
	min.	max.	min.	max.	
WM6	50	185	50	185	400
WM7	120	300	120	300	630

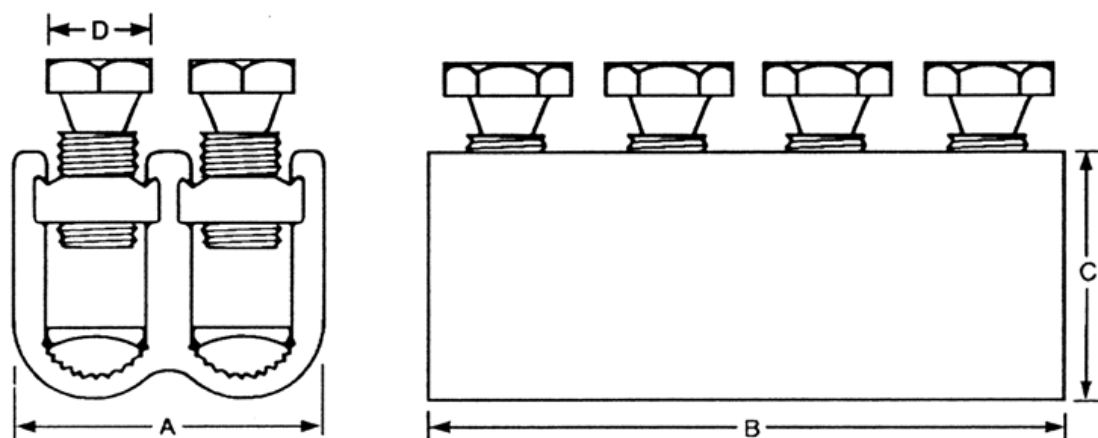
The Hepworth WM range of mains branch connectors has been designed to accommodate three or four core sector shaped stranded/solid conductors in the ranges specified above.

The connector employs the proven shear-head screw principle to ensure that a consistent and reliable connection is achieved. Fitting is completed by the use of orthodox hand tools only, and no specialised equipment or techniques are required.

Each connector is supplied in a sealed pack.

WM6 & WM7 Connectors

Physical Dimensions



Ref. Code	Dimensions (mm)			
	A	B	C	D
WM6	51	100	41	17
WM7	60	120	49	17

Material

Aluminium Alloy

Fitting Instructions

Separate the main cable cores sufficiently to allow the yoke section to be fitted around the conductor and strip the insulation from the core equal to the connector length plus 5 mm. Thoroughly abrade the exposed conductor and loosely assemble one side of the connector around the core by fitting the bridge piece, inserting the pressure pad and tightening the main screws until the connector is positively located. Set and locate the branch core, then cut to length, strip insulation to suit and thoroughly abrade the exposed conductor before assembling into the connector as described above. Complete the operation by tightening down the mains screws consecutively, one turn at a time, until both heads shear, then repeating the operation for the branch screws.

If copper conductors are to be jointed, they should be wrapped in brass gauze in order to improve the electrical stability of the interface connection.