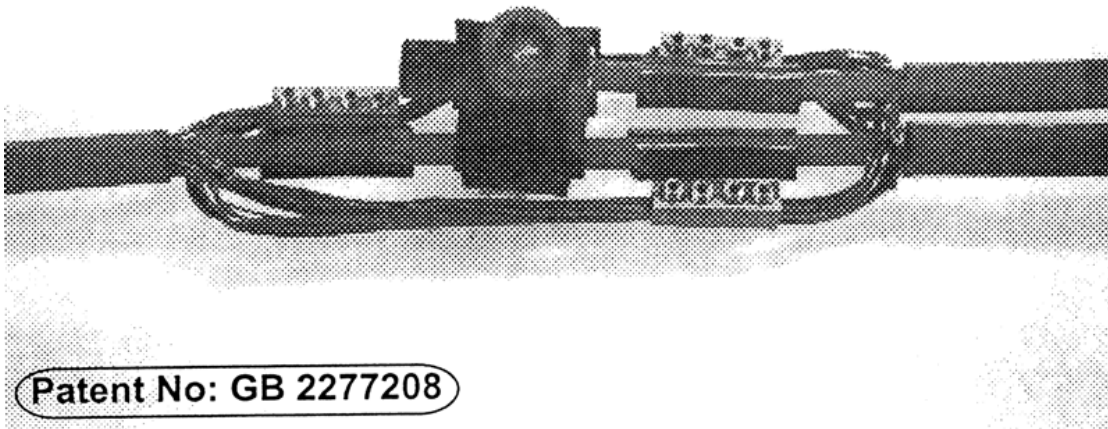


SS Connectors



Single or Three Phase CNE Service Joint

Principle Application

ESI 09-7 Service: P.V.C Insulated Concentric Service Cable.

- single core circular stranded copper.
- single or three phase circular solid aluminium.

Range

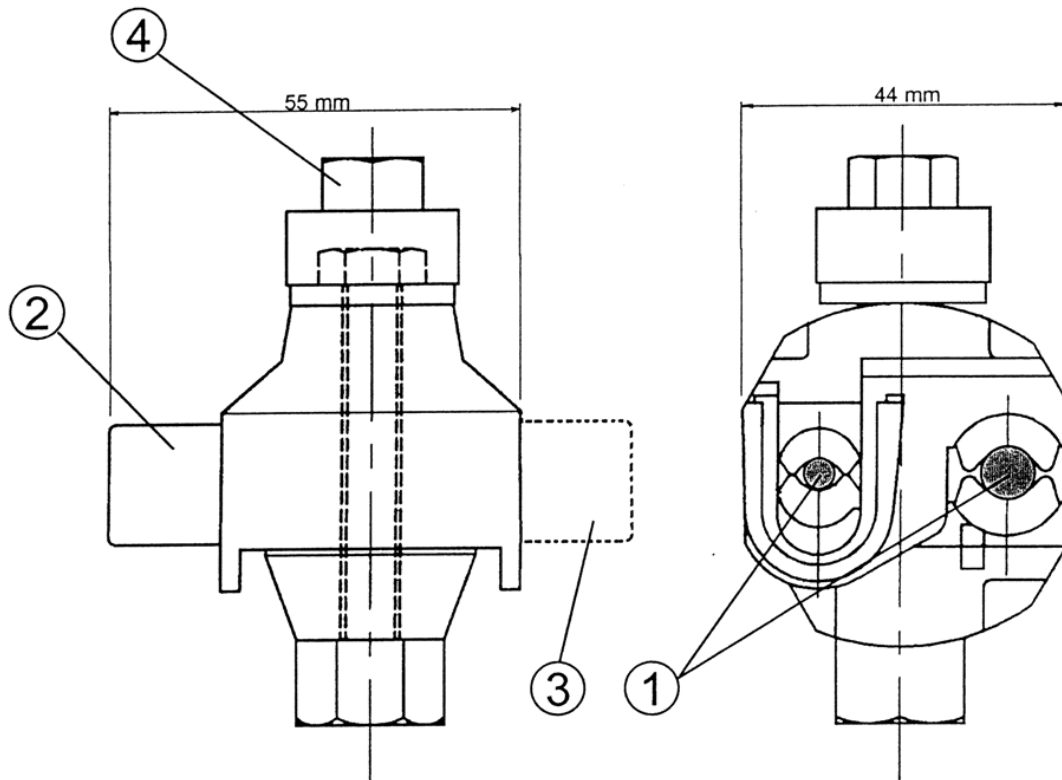
Connector reference	Phase Conductor (mm ²)		Approx Unit Wt. (grammes)
	Circular Stranded Copper	Circular Solid Aluminium	
SS 35/4	4	25	120
	4	35	
	-	35 - 35	
	-	25 - 35	
	-	25 - 35	

The Hepworth LV **Fully Insulated** insulation-piercing service/service connector has been specifically designed to improve the level of safety during live jointing by eliminating the need to remove the core insulation.

This connector offers a quick, reliable and **inherently safe** method for the connection of both stranded and circular solid service cables.

SS Connector

Physical Dimensions



Patent No: GB 2277208

Key

- ① Service Conductor.
- ② Conductor End Cap.
- ③ Conductor End Cap (alternative position).
- ④ Shear Head Cap.