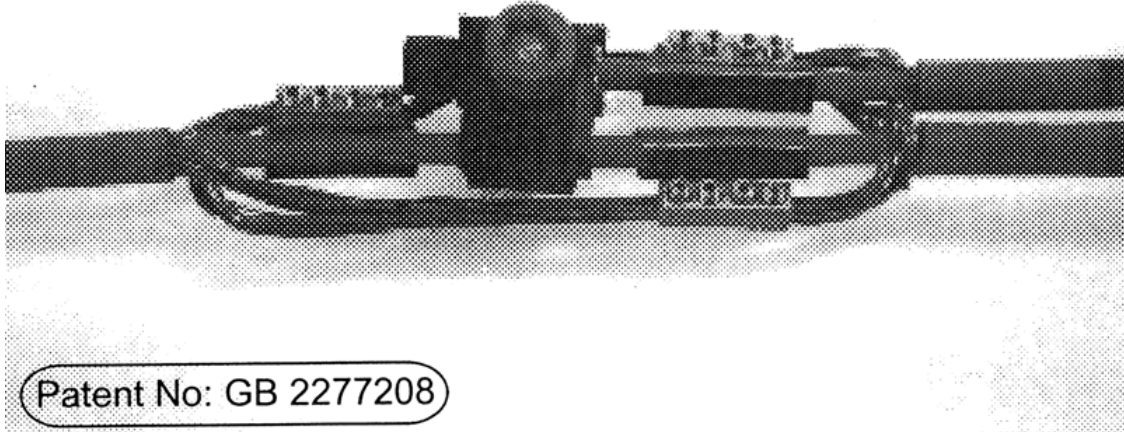


LV Fully Insulated
Insulation-piercing Street
Lighting Service
Connectors

MECHANICAL CONNECTORS



SS Connectors



Single Phase Street Lighting CNE Service Joint

Principle Application

ESI 09-7 Service: P.V.C Insulated Concentric Service Cable - single core circular stranded copper.

Range

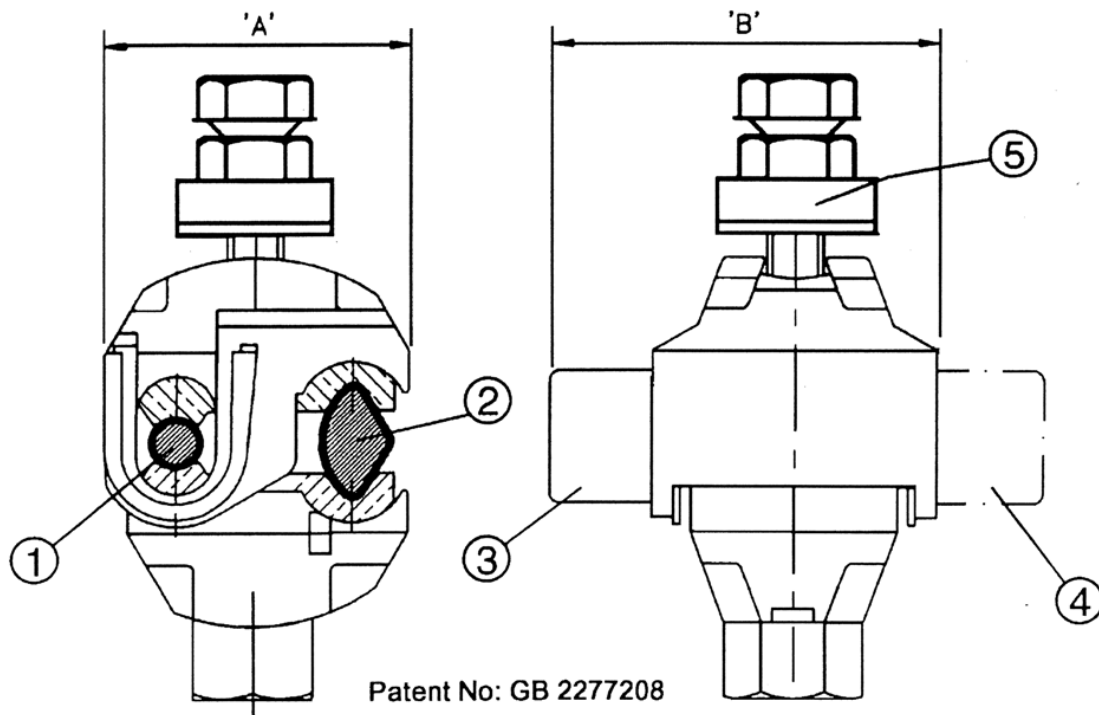
Connector reference	Phase Conductor (mm ²)	Approx Unit Wt. (grammes)
	Circular Stranded Copper	
SS 4 W	4	120

The **Hepworth LV Fully Insulated** insulation-piercing street lighting service connector has been specifically designed to improve the level of safety during live jointing by eliminating the need to remove the core insulation.

This particular connector offers a quick, reliable and **inherently safe** method for the connection of single core circular stranded service cable **without the need of any tooling**.

SS Connector

Physical Dimensions



Key

- ① Service Conductor.
- ② Conductor End Cap.
- ③ Conductor End Cap (alternative position).
- ④ Shear Head Cap.

Fitting Instructions

1. Assemble the service conductor ensuring that it is pushed fully home against the back face of the connector end cap.
2. Assemble the connector to the mains conductor ensuring that the opposing lobes of the conductor are positioned inside the 'V' forms of each connector blade.
3. Finger tighten the bolt, at the same time verifying the alignment of both conductors and finally tighten the UPPER HEXAGON until the head shears away.

NOTE: The purpose of the LOWER HEXAGON is to facilitate removal of the bolt as and when required.