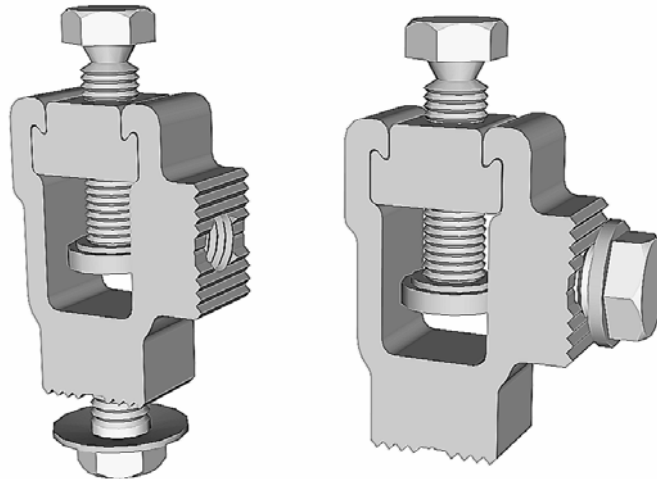


NET/2 Connectors



Principle Application

The connection of consac cable (aluminium sheath) and/or neutral earth bar to waveform cable neutral/earth wires.

Range

Product Reference	Conductor CSA (mm ²)		Approx Unit Wt gms
	Min	Max	
NET/2	16	150	165

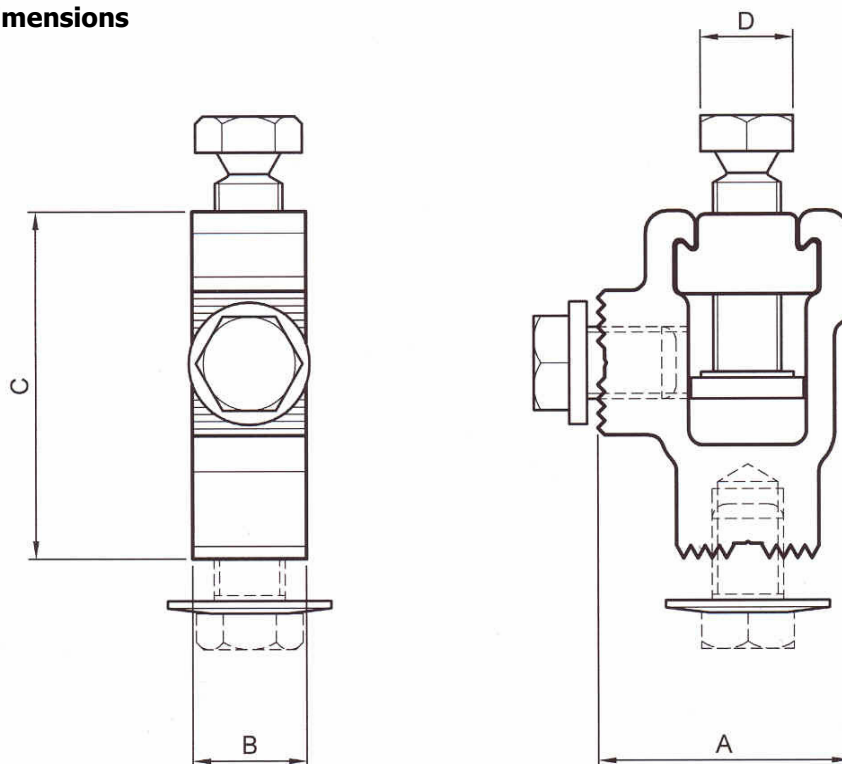
The **Hepworth Neutral/Earth** connectors have been designed to connect either stranded copper or stranded aluminium neutral/earth conductors of CNE (Waveform) mains distribution cables to the aluminium sheath of CONSAC cable or neutral earth bars (typically 6mm thick).

All joint configurations can be accommodated dependant on the total cross sectional area of neutral/earth conductor to be jointed.

See overleaf for fitting instructions.

NET/2 Connectors

Physical Dimensions



Product Reference	Dimensions (mm)			
	A	B	C	D (A/F)
NET/2	35.3	16.0	48.0	13

Material

CZ121 Copper Alloy to BS2874

Fitting Instructions

1. Punch a M10 clearance hole in consac aluminium sheath or use fixing points on neutral earth bar and assemble connector to sheath/bar.
2. Arrange the CNE conductors into a bunch and where necessary cut the conductors to length.
3. Thoroughly abrade all conductors around the assembly area.
4. Fit the conductors into the yoke, insert the bridge piece and tighten the screw until positive location is achieved.
5. Due to the connector employing a shear head system, check for even distribution of the conductors before finally tightening the screw until the head shears.

Note: When jointing CNE aluminium to copper conductors, ensure the supplied brass gauze is fitted around the copper conductors only.