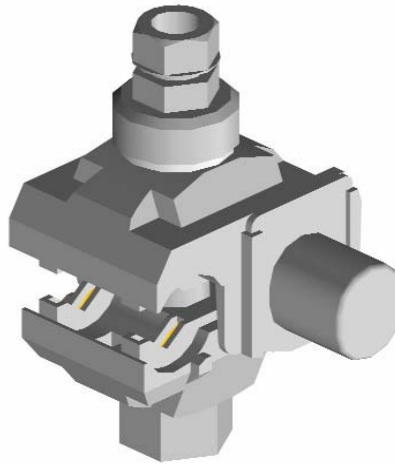


**MS Connectors**



**Principle Application**

- |                  |  |
|------------------|--|
| BS 6346 Mains    | PVC insulated, 600/1000V cables.   |
|                  | <ul style="list-style-type: none"> <li>• 3/4 core solid aluminium.</li> </ul>    |
| BS 6480 Mains    | Impregnated paper insulated, 600/1000V cables.                                   |
|                  | <ul style="list-style-type: none"> <li>• 3/4 core stranded aluminium.</li> </ul> |
| ESI 09-7 Service | PVC insulated, concentric service cable.   |
|                  | <ul style="list-style-type: none"> <li>• circular solid aluminium.</li> </ul>    |

**Range**

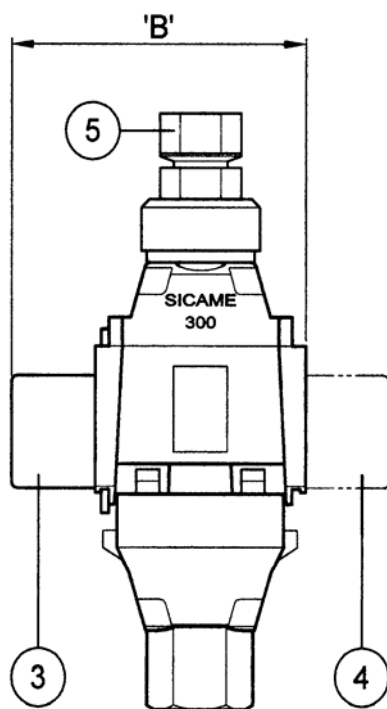
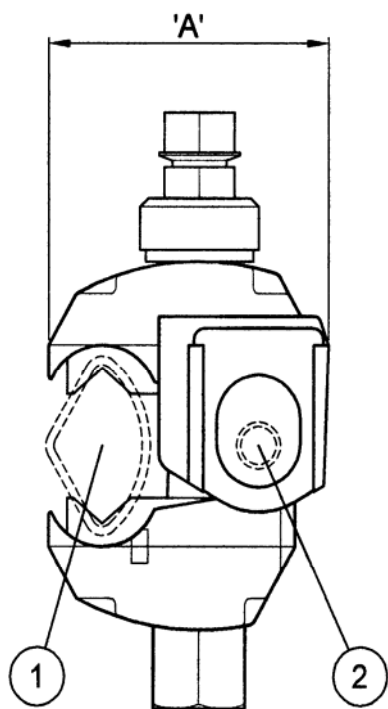
Connector Reference	Core csa (mm <sup>2</sup> )			
	Mains		Service	Approx Unit Wt (grammes)
	Min	Max		
MS 185/35	70	185	16/25/35	110
MS 300/35	185	300	16/25/35	135

The Hepworth range of LV 'MS' **Fully Insulated** insulation piercing connectors has been specifically designed to improve the level of safety during live jointing by eliminating the need to remove core insulation.

This range of connectors offer a quick, reliable and **inherently safe** method for the connection of solid aluminium services to shaped solid/stranded mains cable.

**MS Connectors**

**Physical Dimensions**



**Key**

- ① Mains Conductor
- ② Service Conductor
- ③ Service Conductor End Cap
- ④ Service Conductor End Cap (alternative position)
- ⑤ Double Headed Shear Cap (removable after installation)

Connector Ref	Dimensions (mm)	
	A	B
MS 185/35	46	56
MS 300/35	52	55

**Fitting Instructions**

1. Assemble the service conductor ensuring that it is pushed fully home against the back face of the connector end cap.
2. Assemble the connector to the mains conductor ensuring that the opposing lobes of the conductor are positioned inside the 'V' forms of each connector blade.
3. Finger tighten the bolt, at the same time verifying the alignment of both conductors and finally tighten the UPPER HEXAGON until the head shears away.

NOTE: The purpose of the LOWER HEXAGON is to facilitate removal of the bolt, if required.



**WWW.CABLEJOINTS.CO.UK**  
**THORNE & DERRICK UK**  
TEL 0044 191 490 1547 FAX 0044 477 5371  
TEL 0044 117 977 4647 FAX 0044 977 5582  
**WWW.THORNEANDDERRICK.CO.UK**