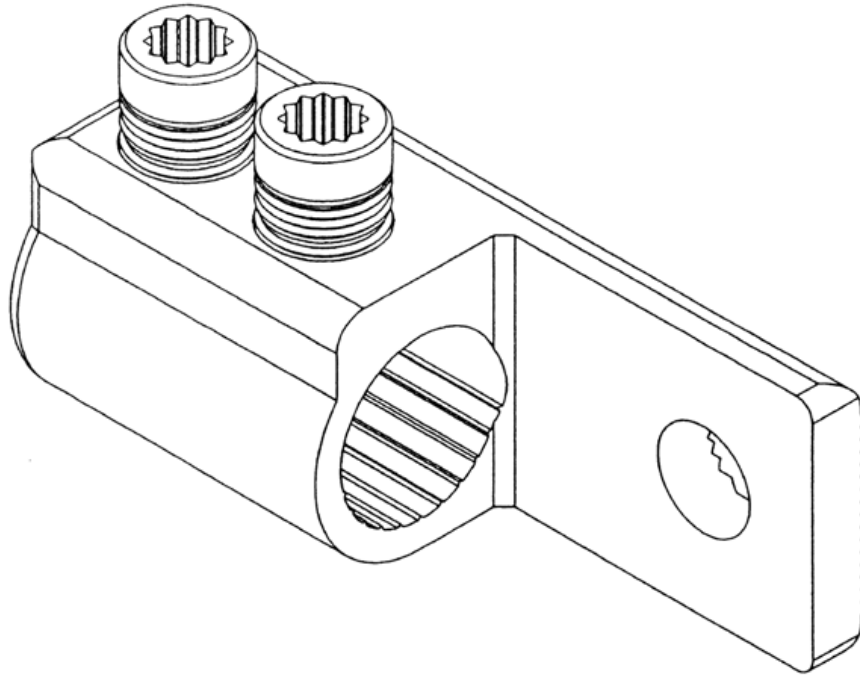


**ML6 Connector****Principle Application**

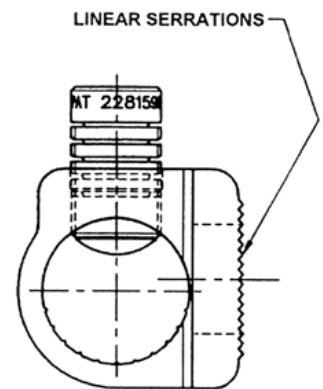
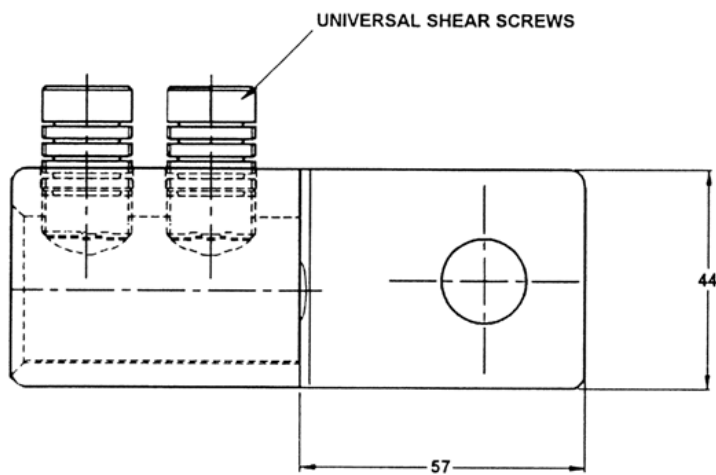
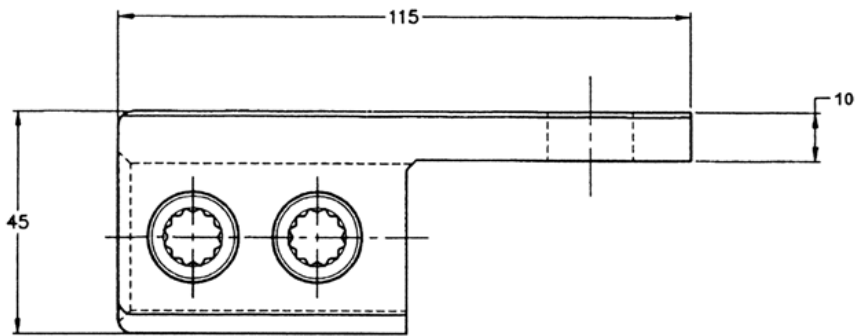
Termination of solid cored conductors.

**Range**

Product Reference	Conductor Core c.s.a. (mm <sup>2</sup> )		Stud Size (mm)	Approx Unit Wt. (grammes)
	min.	max.		
ML6-16	480 (4 x 120)	600	M16	240
ML6-20	480 (4 x 120)	600	M20	240

**ML6 Connector**

**Physical Dimensions**



**Material**

Aluminium Alloy