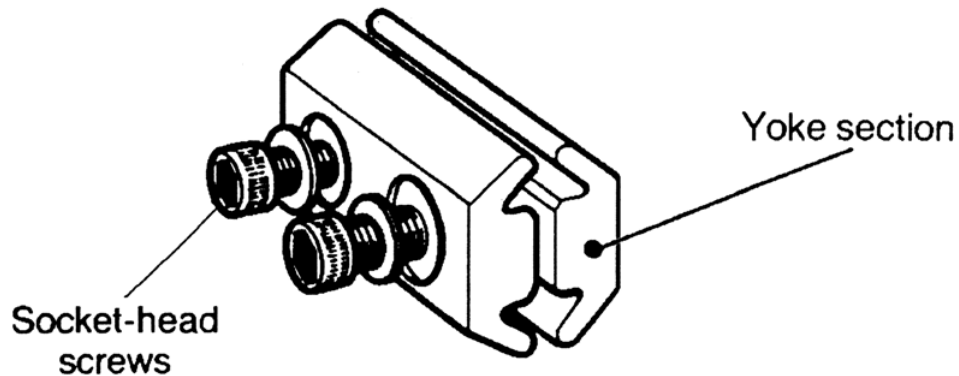


Mains or service branch
connector

MECHANICAL CONNECTORS



BST/P Connector



Principle Application

Any combination of solid sector shaped aluminium conductors between 50 mm² and 70 mm².

Secondary Application:

This connector is also suitable for parallel straight- through configurations within the above conductor range.

The Hepworth BST/P connector has been designed to accommodate three or four core sector shaped solid aluminium conductors in the range 50-70 mm².

Each connector is supplied in a sealed polythene bag, and details of fitting procedures are included in the technical data overleaf.

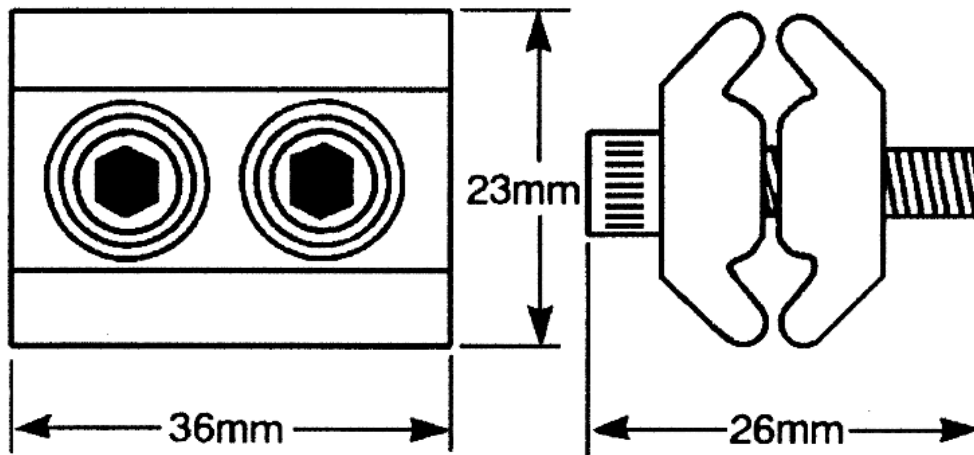
NOTE: If required the BST/P connector can also be supplied with 13mm A/F hexagon head set screws, **Product code BST/PH.**

Mains or service branch
connector

MECHANICAL CONNECTORS

BST/P Connector

Physical Dimensions



Material

Aluminium Alloy.

Product Weight

2.7 Kg per 100 (nominal)

Fitting Instructions

Strip the insulation from the mains core at the required position using the length of the connector as a guide, and thoroughly abrade the exposed conductor. Set the branch conductor to achieve a curve-to-curve configuration and cut to length, then strip the insulation to match the main and abrade the exposed conductor. Loosely fit the connector, ensuring that the conductors are correctly aligned before fully tightening the socket head screws using a 3/16" hexagonal drive.