

Fuses for Semiconductor Protection

European Standard

Type D0 / D



Voltage ratings: AC 440 V – AC 500 V

Current ratings: 2 A to 200 A

Classes: gR / aR

Standards: IEC 60269-4

DIN VDE 0636-40

DIN 49515 / 49360

SIBA D-Fuses, also known as type Diazed/Neozed fuses are supplied in eight different sizes, ND, DII, DIII, DVI, DV, D01, D02, D03. All fuses have color coded blown fuse indicators.

Features / Benefits

- ▶ Class gR for rated currents up to 100 A
Class aR for rated currents above 100 A
- ▶ All fuses have blown fuse indicators
- ▶ Protection of Power Semiconductors according to IEC 60269-4
- ▶ Fuse-bases and accessories are available



Fuses for Semiconductor Protection

European Standard

Type D0 / D

Selection Guide

Type	Size	Rated Voltage [V]	Part No.	Selector Guide [Page]
ND	E 16	500	10 002 07	URD 2
DII	E 27	500	10 005 07	URD 3
DIII	E 33	500	10 007 07	URD 3
DIV	R 1½"	500	10 009 07	URD 4
DV	R 2"	500	10 010 07	URD 4
D01	E 14	440	10 027 07	URD 5
D02	E 18	440	10 028 07	URD 5
D03	M 30x2	440	10 029 07	URD 5

Type
ND

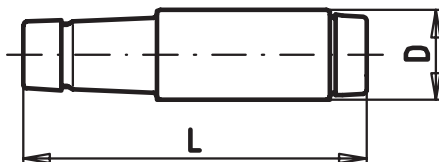
Rated Voltage
AC 500 V

Size
E 16

Standard
DIN 49360

Rated Current [A]	Part No.	Weight [kg/1]	Pack
2	10 002 07.2	0.016	50
4	10 002 07.4	0.016	50
6	10 002 07.6	0.016	50
10	10 002 07.10	0.016	50
16	10 002 07.16	0.016	50
20	10 002 07.20	0.016	50
25	10 002 07.25	0.016	50
30	10 002 07.30	0.016	50

Type ND



D 0.50" (12.5 mm)

L 1.97" (50 mm)



Fuses for Semiconductor Protection
European Standard

Type D0 / D

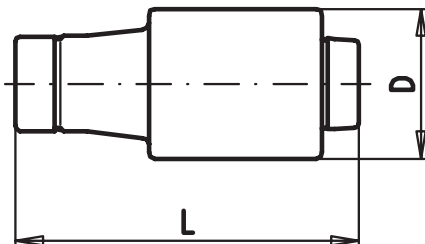
Type D II	Rated Voltage AC 500 V	Size E 27	Standard DIN 49515
---------------------	----------------------------------	---------------------	------------------------------

Rated Current [A]	Part No.	Weight [kg/1]	Pack
2	10 005 07.2	0.031	5
4	10 005 07.4	0.031	5
6	10 005 07.6	0.031	5
10	10 005 07.10	0.031	5
16	10 005 07.16	0.031	5
20	10 005 07.20	0.031	5
25	10 005 07.25	0.031	5
30	10 005 07.30	0.031	5

Type D III	Rated Voltage AC 500 V	Size E 33	Standard DIN 49515
----------------------	----------------------------------	---------------------	------------------------------

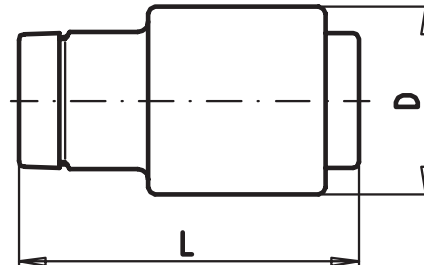
Rated Current [A]	Part No.	Weight [kg/1]	Pack
35	10 007 07.35	0.031	5
50	10 007 07.50	0.031	5
63	10 007 07.63	0.031	5

Type **D II**



D 0.87" (22 mm)
L 1.97" (50 mm)

Type **D III**



D 1.06" (27 mm)
L 1.97" (50 mm)



Fuses for Semiconductor Protection

European Standard

Type D0 / D

Type
D IV

Rated Voltage
AC 500 V

Size
R 14"

Standard
DIN 49515

Rated Current [A]	Part No.	Weight [kg/1]	Pack
80	10 009 07.80	0.116	5
100	10 009 07.100	0.116	5

Type
D V

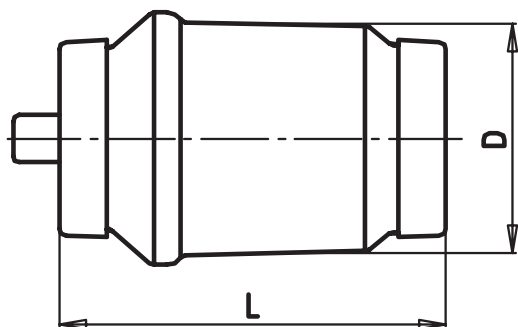
Rated Voltage
AC 500 V

Size
R 2"

Standard
DIN 49365

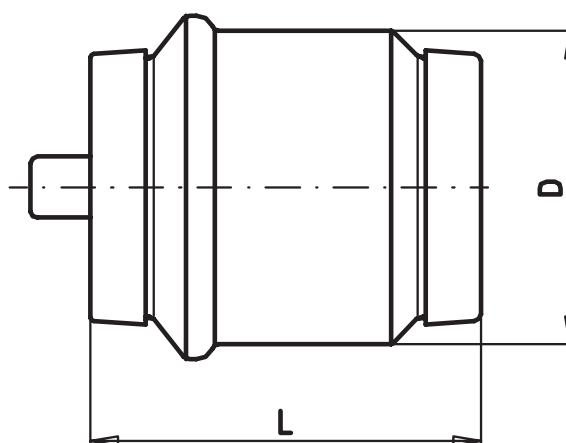
Rated Current [A]	Part No.	Weight [kg/1]	Pack
125	10 010 07.125	0.116	5
160	10 010 07.160	0.116	5
200	10 010 07.200	0.116	5

Type **D IV**



D 1.30" (33 mm)
L 1.97" (50 mm)

Type **D V**



D 1.80" (46 mm)
L 1.97" (50 mm)



Fuses for Semiconductor Protection
European Standard

Type D0 / D

Type D 01	Rated Voltage AC 440 V	Size E 14	Standard DIN 49522
---------------------	----------------------------------	---------------------	------------------------------

Rated Current [A]	Part No.	Weight [kg/1]	Pack
2	10 027 07.2	0.006	50
4	10 027 07.4	0.006	50
6	10 027 07.6	0.006	50
10	10 027 07.10	0.006	50
16	10 027 07.16	0.006	50

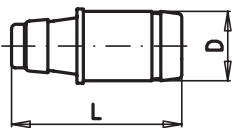
Type D 02	Rated Voltage AC 440 V	Size E 18	Standard DIN 49522
---------------------	----------------------------------	---------------------	------------------------------

Rated Current [A]	Part No.	Weight [kg/1]	Pack
20	10 028 07.20	0.014	25
25	10 028 07.25	0.014	25
35	10 028 07.35	0.014	25
50	10 028 07.50	0.014	25
63	10 028 07.63	0.014	25

Type D 03	Rated Voltage AC 440 V	Size M 30x2	Standard DIN 49522
---------------------	----------------------------------	-----------------------	------------------------------

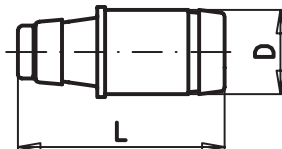
Rated Current [A]	Part No.	Weight [kg/1]	Pack
80	10 029 07.80	0.042	25
100	10 029 07.100	0.042	25

Type **D 01**



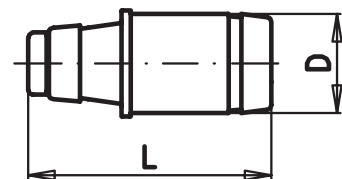
D 0.43" (11 mm)
L 1.42" (36 mm)

Type **D 02**



D 0.60" (15.3 mm)
L 1.42" (36 mm)

Type **D 03**



D 0.90" (22.5 mm)
L 1.70" (43 mm)

