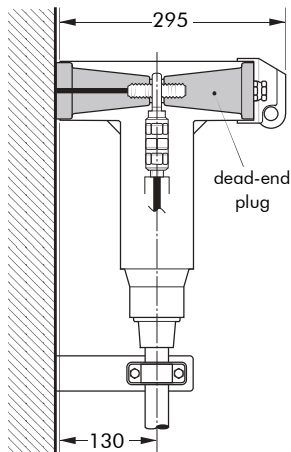


POSSIBLE ARRANGEMENTS INTERFACE E - 5/8"

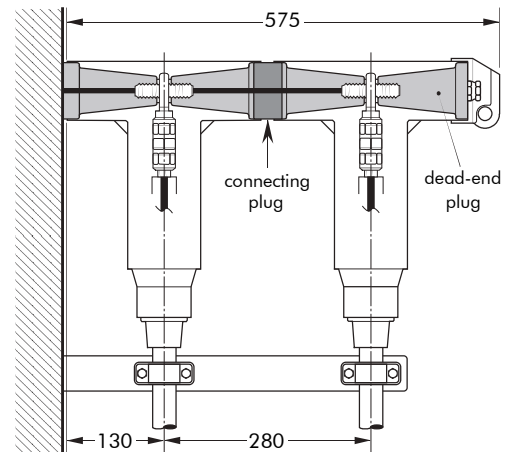
I 750LR or 775LR

Single cable arrangement.
Order 750LR or 775LR
for 12 kV, 24 kV or 36 kV
applications.



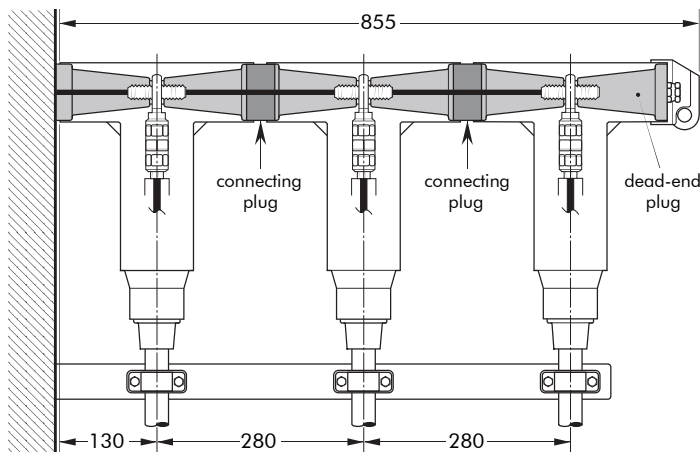
I 750LR-P2 or 775LR-P2

Dual cable arrangement.
Order 750LR-P2 or 775LR-P2
for 12 kV, 24 kV or 36 kV
applications.



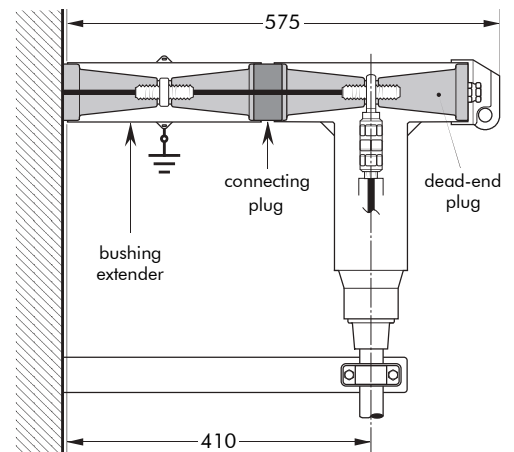
I 750LR-P3 or 775LR-P3

Triple cable arrangement.
Order 750LR-P3 or 775LR-P3
for 12 kV, 24 kV or 36 kV
applications.



I 750LR-P6 or 775LR-P6

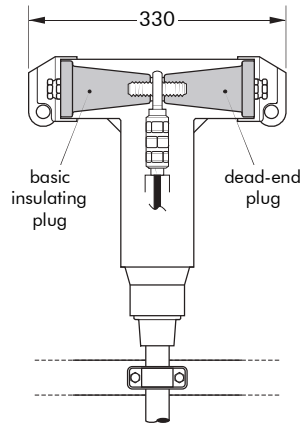
Connector standing away from
equipment.
Order 750LR-P6 or 775LR-P6
for 12 kV, 24 kV or 36 kV
applications.



750LR-L1 or 775LR-L1

Dead-ending.

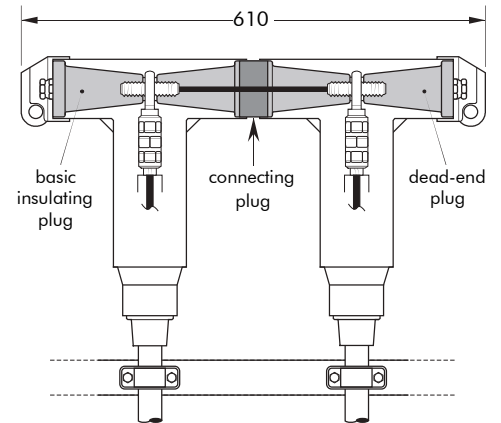
Order 750LR-L1 or 775LR-L1 for 12 kV, 24 kV or 36 kV applications.



750LR-L2 or 775LR-L2

2-way connection.

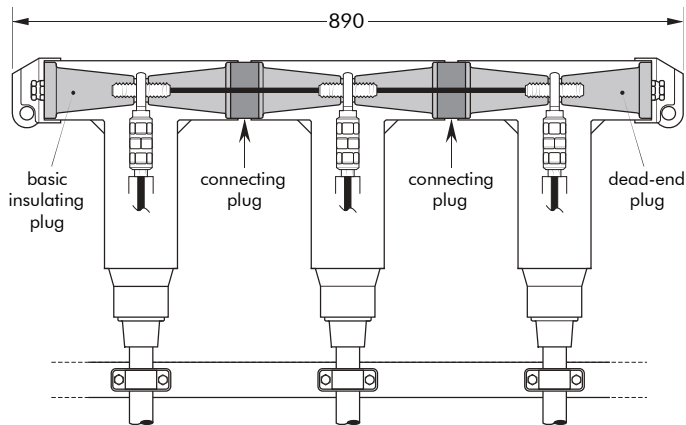
Order 750LR-L2 or 775LR-L2 for 12 kV, 24 kV or 36 kV applications.



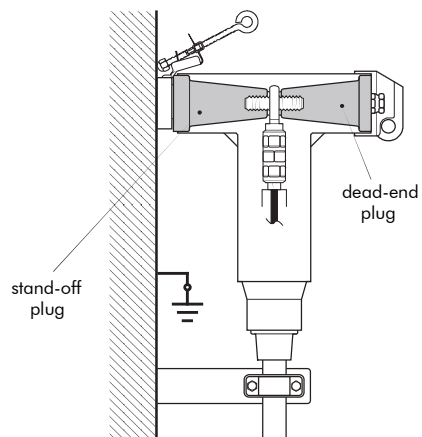
750LR-L3 or 775LR-L3

3-way connection.

Order 750LR-L3 or 775LR-L3 for 12 kV, 24 kV or 36 kV applications.



Connector on stand-off plug.



Connector on earthing plug.

