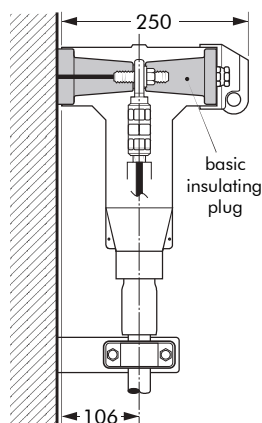


## POSSIBLE ARRANGEMENTS INTERFACE D

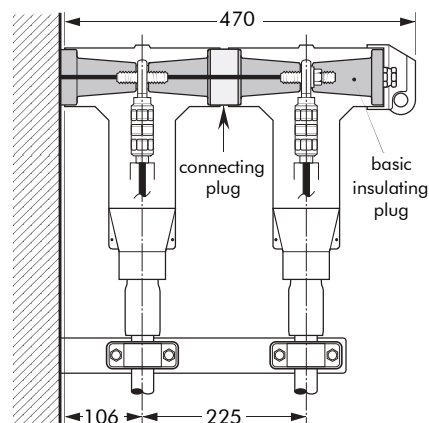
### 676LRA/G

Single cable arrangement.  
Order 676LRA/G for 12 kV or  
K676LRA/G for 24 kV  
applications.



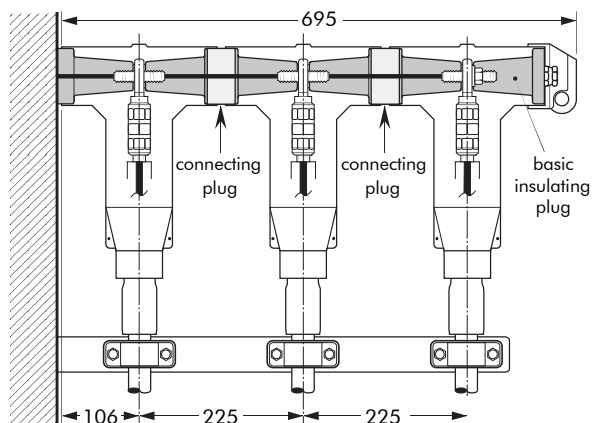
### 676LRA/G-P2

Dual cable arrangement.  
Order 676LRA/G-P2 for 12 kV  
or K676LRA/G-P2 for 24 kV  
applications.



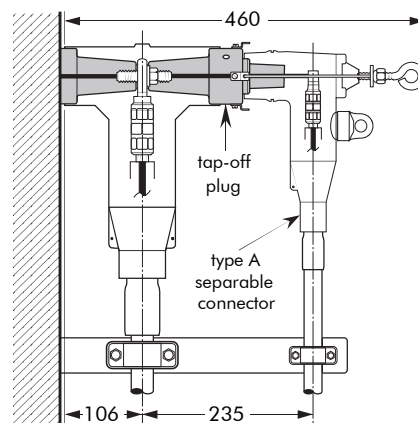
### 676LRA/G-P3

Triple cable arrangement.  
Order 676LRA/G-P3 for 12 kV  
or K676LRA/G-P3 for 24 kV  
applications.



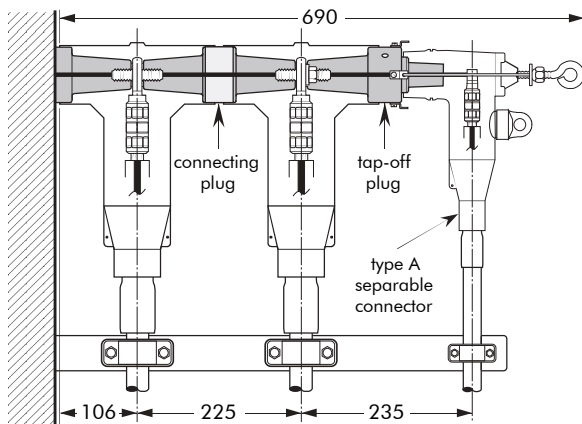
### 676LRA/G-P4

Single cable arrangement with  
tap-off.  
Order 676LRA/G-P4 for 12 kV  
or K676LRA/G-P4 for 24 kV  
applications.



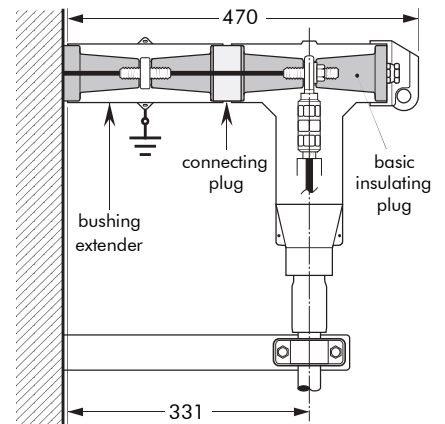
### 676LRA/G-P5

Dual cable arrangement with tap-off.  
Order 676LRA/G-P5 for 12 kV  
or K676LRA/G-P5 for 24 kV  
applications.



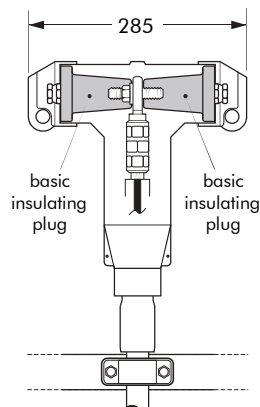
### 676LRA/G-P6

Connector standing away from equipment.  
Order 676LRA/G-P6 for 12 kV  
or K676LRA/G-P6 for 24 kV  
applications.



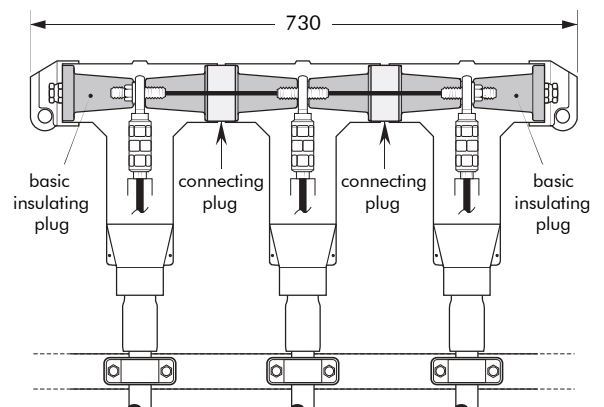
### 676LRA/G-L1

Dead-ending.  
Order 676LRA/G-L1 for 12 kV  
or K676LRA/G-L1 for 24 kV  
applications.



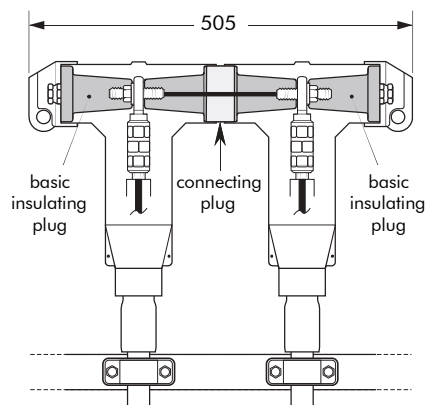
### 676LRA/G-L3

3-way connection.  
Order 676LRA/G-L3 for 12 kV  
or K676LRA/G-L3 for 24 kV  
applications.



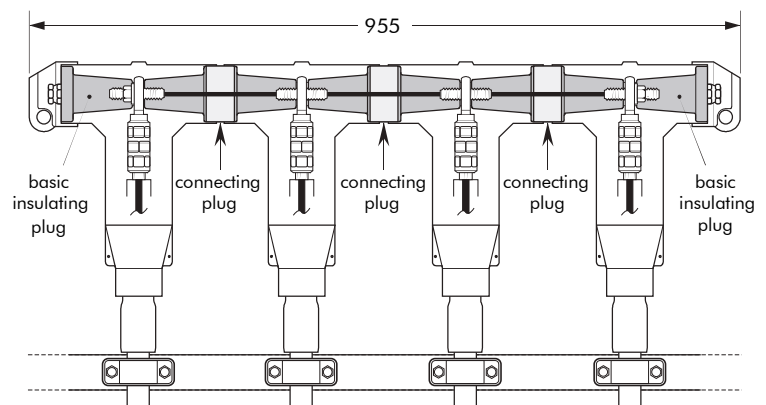
### 676LRA/G-L2

2-way connection.  
Order 676LRA/G-L2 for 12 kV  
or K676LRA/G-L2 for 24 kV  
applications.



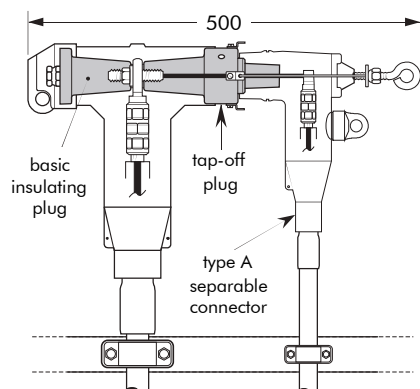
### 676LRA/G-L4

4-way connection.  
Order 676LRA/G-L4 for 12 kV  
or K676LRA/G-L4 for 24 kV  
applications.



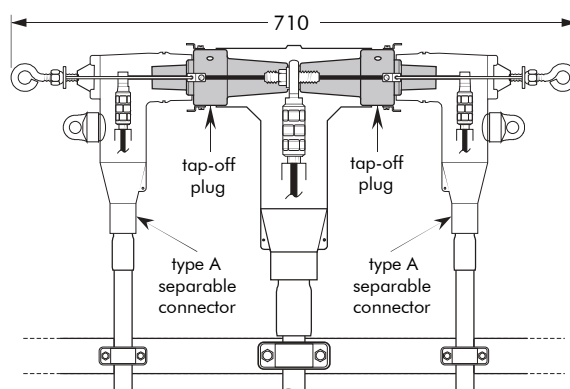
### 676LRA/G-L5

2-way connection with tap-off.  
Order 676LRA/G-L5 for 12 kV  
or K676LRA/G-L5 for 24 kV  
applications.



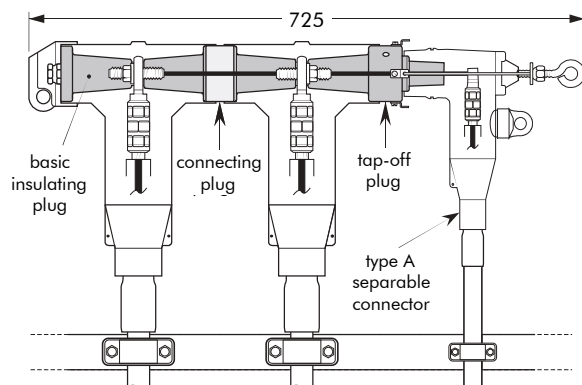
### 676LRA/G-L6

3-way connection with two  
tap-offs.  
Order 676LRA/G-L6 for 12 kV  
or K676LRA/G-L6 for 24 kV  
applications.



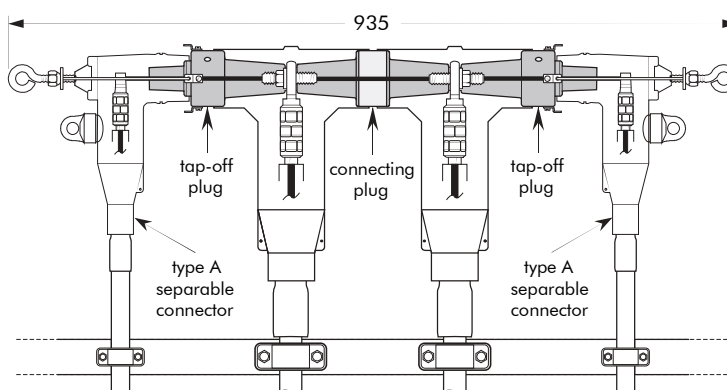
### 676LRA/G-L7

3-way connection with one  
tap-off.  
Order 676LRA/G-L7 for 12 kV  
or K676LRA/G-L7 for 24 kV  
applications.



### 676LRA/G-L8

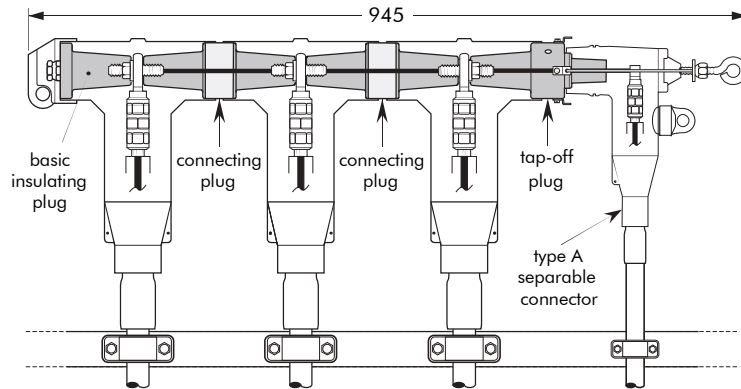
4-way connection with two  
tap-offs.  
Order 676LRA/G-L8 for 12 kV  
or K676LRA/G-L8 for 24 kV  
applications.



## 676LRA/G-L9

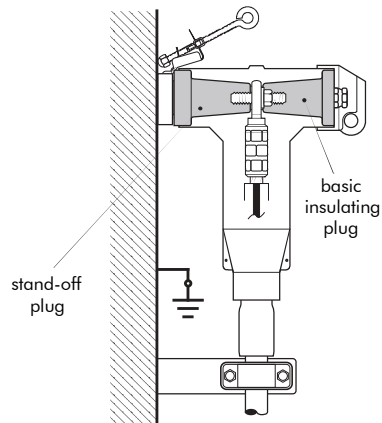
4-way connection with one tap-off.

Order 676LRA/G-L9 for 12 kV  
or K676LRA/G-L9 for 24 kV  
applications.



## Connector on stand-off plug

Order 606SOP for 12 kV or  
K606SOP for 24 kV  
applications.



## Connector on earthing plug

Order 606GP for 12 kV and  
24 kV applications.

