

# MODE - Multiple Occupancy Distribution Equipment

Selection guide for low voltage  
indoor distribution up to 500A



**WWW.CABLEJOINTS.CO.UK**  
**THORNE & DERRICK UK**  
TEL 0044 191 490 1547 FAX 0044 477 5371  
TEL 0044 117 977 4647 FAX 0044 977 5582  
**WWW.THORNEANDDERRICK.CO.UK**



# MODE - Multiple Occupancy Distribution Equipment

---

## Contents |

|       |  |   |
|-------|--|---|
| 4     |  | <b>MODE range: introduction</b>                     |
| 5     |  | <b>MODE range: overview</b>                         |
| 6     |  | <b>MODE range: the benefits</b>                     |
| 7     |  | <b>200A MODE range standard features</b>            |
| 8-9   |  | <b>200A MODE range technical specification</b>      |
| 10    |  | <b>200A MODE range technical schedule</b>           |
| 11    |  | <b>315A to 500A MODE range standard features</b>    |
| 12-13 |  | <b>315A MODE range technical specification</b>      |
| 14-15 |  | <b>500A MODE range technical specification</b>      |
| 16-17 |  | <b>Dual 500A MODE range technical specification</b> |
| 18    |  | <b>315A to 500A MODE range technical schedule</b>   |
| 19-20 |  | <b>Accessories and spares</b>                       |
| 21-22 |  | <b>Order form</b>                                   |
| 23    |  | <b>The complete offer</b>                           |

# Multiple Occupancy Distribution Equipment

## Introduction

---

**Merlin Gerin's range of indoor wall mounted multiple occupancy distribution equipment provides increased safety, reliability and reduces installation time.**



The MODE range provides increased safety giving operator protection to IPXXB with the door open. Improved reliability through design and rigorous testing plus the staggered outgoing phase banks increase cabling access ensuring multiple cable termination is easier, reducing costly installation time.

The MODE range is the ideal solution for providing low voltage supplies to multiple occupancy premises. Utilising 100A house service cut outs to BS 7657 for the outgoing distribution circuits whilst the incoming supply can be directly connected up to 200A to the distribution equipment busbars or via a fused incoming device for ratings up to 500A.



## Multiple Occupancy Distribution Equipment Overview

---

*The flexible range includes  
4 unit types providing a total of  
13 distribution solutions as standard*



500A 14 way sub-mains distribution board with 3xSP100A landlord supplies



200A direct connected indoor wall mounted distribution board



315A up to 500A fused incoming device indoor wall mounted distribution board

The flexible range includes 4 unit types providing a total of 13 distribution solutions as standard from a 200A 2 way up to a 500A 20 way. A standard unit with dual incoming and outgoing fuseway including 10 way distribution is also available. If the solution you require is not listed as standard then please contact our customer information centre on 0870 608 8 608.

The MODE range includes accessories to accommodate different termination arrangements with the option for mechanical connectors and extension boxes for the larger incoming waveform cables up to 4C 240mm<sup>2</sup>.

# Multiple Occupancy Distribution Equipment

## Benefits



315A or 500A/10 way MODE box (3B10 or 5B10)



### Safety

The operator is protected to IPXXB from live conductor with the door(s) open across the MODE range of distribution units. With the fused incoming devices over 315A IPXXB is maintained to BS EN 60529 during normal operation with the fuse handles in position. Solid plastic contact shrouds are provided as standard to cover the incoming contact once the fuse carriers have been removed. Test probe access is also provided to the upper and lower phase contacts of the incoming fused unit.



### Reliability

The outgoing one piece busbar comb, manufactured from HDHC copper and electro-tin plated, limits the number of connections and potential heat spots. The busbar shrouded by a single moulded extrusion designed to mate to the majority of domestic single pole cut outs to BS 7657. The equipment range has been tested for temperature rise to ensure continued performance whilst in service and is routine tested to BS EN 60439-1 before despatch.



### Ease of installation

The zinc coated steel enclosure is provided with four M8 holes punched proud of the enclosure to allow for installation to an uneven wall surface. The upper two of the M8 holes are a key way for ease of wall mounting. The IP31 ventilated enclosure is designed for indoor installation providing flexibility of installation in areas that can be accessed by the public. The enclosure has a dark admiralty grey powder paint finish to No.632 to BS 381C. The process of electrostatically applying polyester powder paint and curing in an oven ensures a durable, scratch resistant high gloss long lasting paint finish. The innovative staggered busbar design provides more than adequate cabling space for outgoing circuits. The outgoing circuit phase banks can also be removed to reduce weight during installation and also provide extra space during cabling if required.

### Fast delivery

For the 13 standard solutions we are able to offer typical lead times of 15-20 working days or less, please consult at time of order placement.

# Multiple Occupancy Distribution Equipment

## 200A distribution board

### Standard features



### Enclosure

- Zinc coated 1.6mm steel ventilated enclosure to IP31 of BS EN 60529
- Dark admiralty grey No.632 to BS 381C
- LHS standard or can be site reconfigured to a RHS mounted door, opening to a minimum of 180 degrees
- Door is secured with captive screws
- Generous labelling card affixed to door for L1, L2 and L3 outgoing circuits
- Site reversible padlocking arrangement to prevent damage to accept a 6mm diameter padlock shackle
- 4 x M8 wall fixings punched proud of the enclosure to accommodate uneven wall surfaces

### Incoming cable terminals

- Common cable termination area fully screened to IPXXB with a polycarbonate termination cover
- Accepts up to 3C 120mm<sup>2</sup> on M12 captive fixings
- Adjustable incoming cable clamp from 25mm to 50mm O/D

### Outgoing fused units

- Mounted to solid hard drawn high conductivity electro-tin plated busbar
- Up to 4way 200A three pole solution
- 100A rated service cutouts, ENA approved design and manufactured to BS 7657
- Accept fuse links to BS 1361 (Not supplied)
- Electro-tin plated brass bar earth and neutral interterminal rail with incoming M12 termination with 2 x M8 fine pinching screws per circuit
- Removable neutral/earth link
- External M12 earth stud to RHS of unit
- Incoming cable screen maintains operator protection to IPXXB from incoming cable terminations when door is opened
- Removable outgoing undrilled and centre popped aluminium gland plate that can be removed to facilitate cable entry via trunking if required

### Accessories

- Various accessories are available to add to the standard catalogue offer to suit the application these include:
  - Kits for 3C or 4C incoming cables terminated with mechanical connectors
  - Adaptable gland plate to suit mating to incoming 400A heavy duty cut out type SCHD6 from Merlin Gerin or GF200 or GF400/600
  - Various gland plate options including plywood cable exit cover, drilled aluminium gland plate with plastic stuffing glands or conical rubber grommets per outgoing circuit.

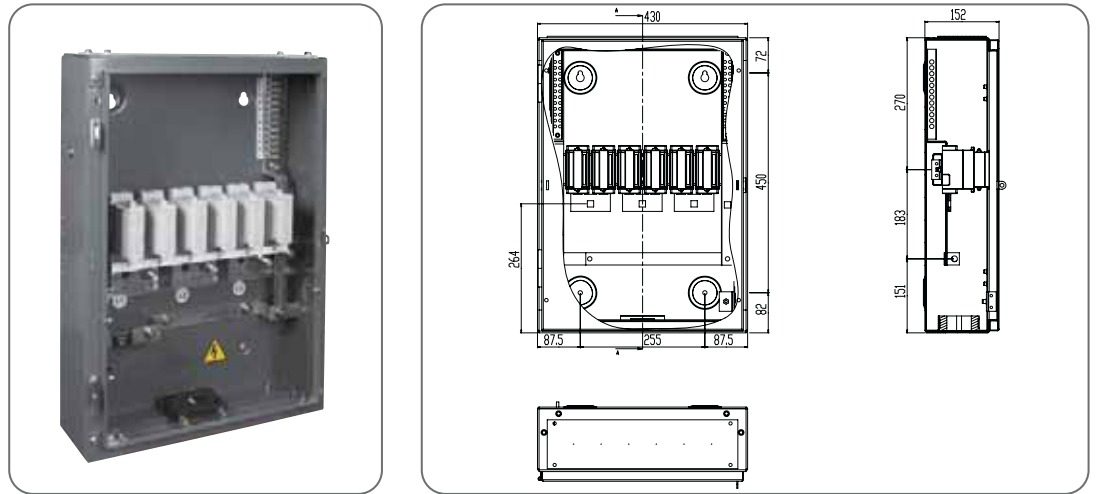


# Multiple Occupancy Distribution Equipment

## 200A distribution board

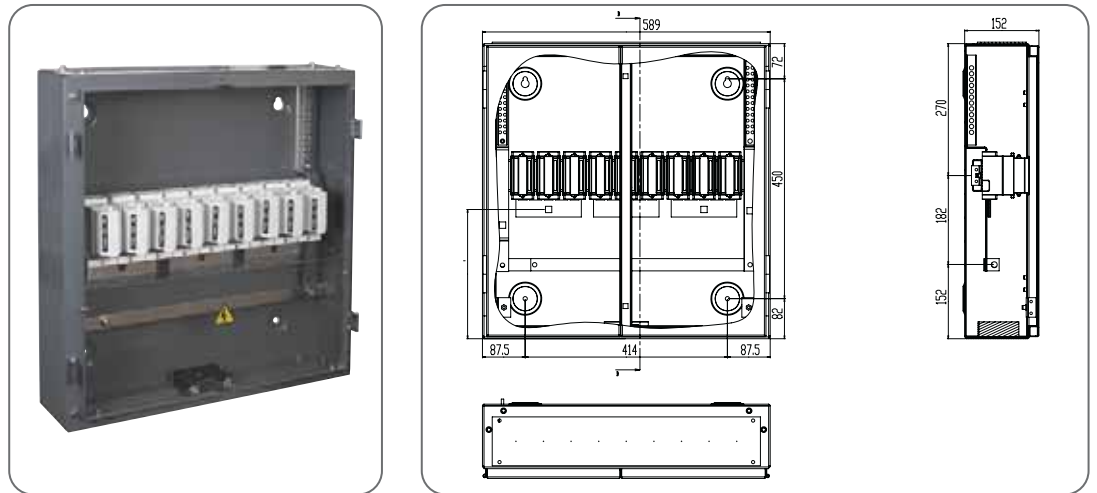
### Technical specification

#### 200A rated busbar with incoming direct cable termination



| Reference | Rating | TP&N ways | Incomer | Doors | Height | Width | Depth | Weight |
|-----------|--------|-----------|---------|-------|--------|-------|-------|--------|
| MODE-2A2  | 200A   | 2         | No      | 1     | 604mm  | 430mm | 152mm | 18Kg   |

#### 200A rated busbar with incoming direct cable termination



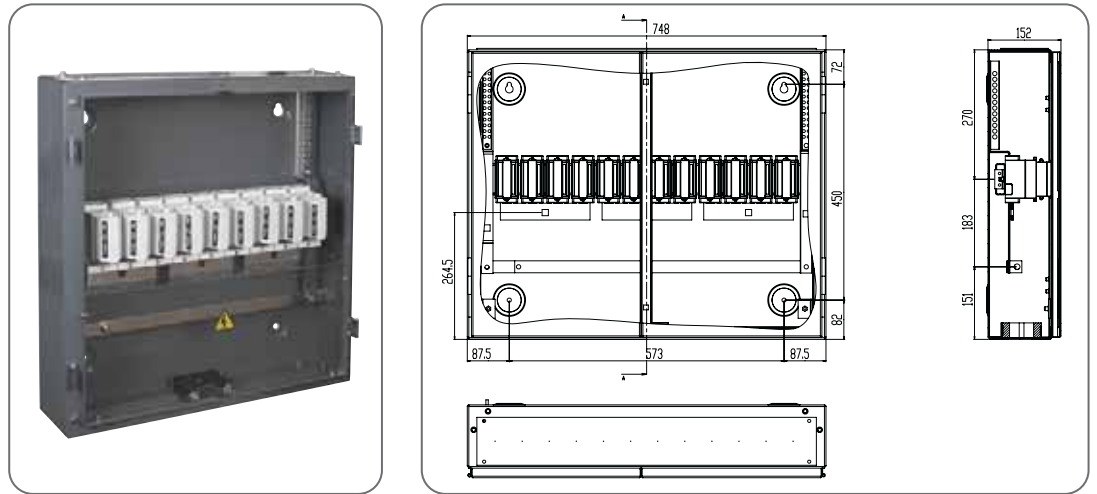
| Reference | Rating | TP&N ways | Incomer | Doors | Height | Width | Depth | Weight |
|-----------|--------|-----------|---------|-------|--------|-------|-------|--------|
| MODE-2A3  | 200A   | 3         | No      | 2     | 604mm  | 589mm | 152mm | 24Kg   |

# Multiple Occupancy Distribution Equipment

## 200A distribution board

### Technical specification

#### 200A rated busbar with incoming direct cable termination



| Reference | Rating | TP&N ways | Incomer | Doors | Height | Width | Depth | Weight |
|-----------|--------|-----------|---------|-------|--------|-------|-------|--------|
| MODE-2A4  | 200A   | 4         | No      | 2     | 604mm  | 748mm | 152mm | 30Kg   |

#### General technical specification

| 200A MODE range according to IEC 60439-1                   | Unit            |               |
|--|-----------------|---------------|
| Rated insulation voltage (Ui)                              | V               | 690           |
| Rated operational voltage (Ue)                             | V               | 415           |
| Rated Incoming current (Ie)                                | A               | 200           |
| Rated current of house service cut-out                     | A               | 100           |
| Rated conditional short-circuit current (with fuses)       | kA              | 50            |
| Rated frequency  | Hz              | 50 - 60       |
| House service cut out HRC fuselink                         |                 | BS 1361       |
| Type of earthing systems                                   |                 | TN-C-S / TN-S |
| Enclosure rating to BS EN 60259                            |                 | IP 31         |
| Operator protection (doors open) to BS EN 60529            |                 | IP XXB        |
| Enclosure dark admiralty grey painted finish to BS 381C    |                 | No. 632       |
| Incoming cable termination                                 |                 | M12           |
| Neutral and earth incoming cable terminations              |                 | M12           |
| Maximum size of incoming cable to busbar                   | mm <sup>2</sup> | 3C 120        |
| Maximum size of outgoing cable from house service cut outs | mm <sup>2</sup> | SC 35         |

# Multiple Occupancy Distribution Equipment

## 200A distribution board

### Technical schedule

This document specifies those distribution boards for use indoor at 230/400V where multiple standard domestic 100A services are required within one building.

It is not intended to define the total extent of the offer, only those catalogued in this selection guide. Should your requirements not be defined or accommodated by this specification then please contact our customer information centre on 0870 608 8 608.

### Standards

In order to be accepted, the distribution boards comply with the requirements of the following standards, specifications and recommendations.

**BS EN 60439-1:1999** - Specification of low voltage switchgear and control assemblies.

**BS EN 60529** - Specification for degrees of protection provided by enclosures (IP codes).

**BS 7657** - Specification for fuses (cut-outs), ancillary terminal blocks and interconnecting units up to 100A rating, for power supplies to buildings.

**BS1361:1971** - Specification for cartridge fuses for A.C. circuits in domestic and similar premises.

**IEC 60269-2-1** - Low voltage fuses Part 2 - 1: Supplementary requirements for fuses for use by authorised persons.

**ENA TS 37-2** - Substation and cable distribution boards.

**ISO 9001:2000** - Quality management system.

**ISO 14001:1996** - Environmental management system.



### Technical

#### 1. General

The only allowed types of distribution board will be a 2, 3 and 4 way TP&N distribution board.

#### 2. Incoming cable

The unit shall be bottom cable entry, The unit shall be capable of accepting up to a 120mm<sup>2</sup> cable. The incoming cable shall be directly terminated to the busbars. The busbars are to be fully insulated to IPXXB in accordance with BS EN 60529, with no access to any bare live metalwork.

#### 3. Enclosure

The enclosure shall be IP31 rated in accordance with BS EN 60529. The doors shall be open to a minimum of 180 degrees whilst also being removable. The door shall hinge from the LHS as standard with the option to re-assemble the door to hinge on the RHS for single door enclosures.

#### 4. Outgoing cut-outs

The service cut-out shall be typically of the 100A rating. The cut-out shall be in accordance with the requirements of BS 7657. Every exit point shall have an individual fuse link to allow the de-energisation and isolation of their and only their supply. Service fuse links shall be of an ENA approved design.

# Multiple Occupancy Distribution Equipment

## 315A to 500A distribution board

### Standard features

#### Enclosure

- Zinc coated 1.6mm steel ventilated enclosure to IP31 of BS EN 60529
- Dark admiralty grey No.632 to BS 381C
- LHS standard or can be site reconfigured to a RHS mounted door, opening to a minimum of 180 degrees
- Door is removable on all units and secured with captive screws
- Generous labelling card affixed to door for L1, L2 and L3 outgoing circuits
- Site reversible padlocking hasp to accept a 6mm diameter padlock shackle
- Enclosure provides 4 x M8 (top two with key way) embossed wall fixings to accommodate uneven wall surfaces



#### Incoming fused unit

- IPXXB operator protection during normal service conditions
- Solid red plastic incoming contact shrouds provided to maintain protection from live conductors with incoming fuse carriers removed
- Removable engraveable circuit label
- Test probe access to top and bottom contacts whilst maintaining IPXXB
- Through-grip fuse carrier handles requires no tools to change fuselinks
- Rated current from 315A type YW4 and type YW6 for ratings up to 500A
- YW4 accepts 82mm centre and YW6 92mm centre type gU fuse links with wedge tightening contacts to IEC 60269-2-1 section VI
- Removable front bottom cross member to facilitate termination of up to 3C 300mm<sup>2</sup>
- Adjustable incoming cable clamp accepting 70mm<sup>2</sup> up to 300mm<sup>2</sup> for support of incoming cable
- Individual mouldings per phase to access four position incoming cable terminations eliminating phase core crossovers. YW4 or YW6 - M12 and M16 respectively



#### Outgoing fused units

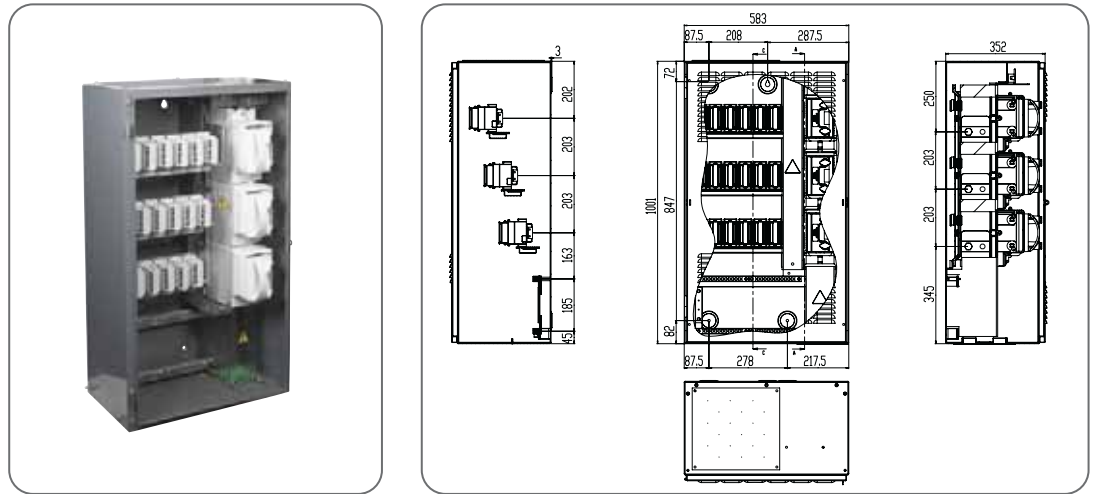
- Mounted to solid hard drawn high conductivity electro-tin plated busbar comb
- Staggered phases front to back to allow for ease of cabling
- Phase banks can be removed for ease of cabling
- Up to 20 way 500A three pole solution
- 100A rated service cut outs, EA approved design and manufactured to BS 7657
- Accept fuselinks to BS 1361 (not supplied)
- Earth and neutral bars are manufactured from electro-tin plated brass bar with 2 x M12 and also 2 x M8 fine pinching screws per terminal
- Removeable outgoing undrilled and centre popped gland plate to facilitate cable entry via trunking if required. (see accessories for further gland plate options)

# Multiple Occupancy Distribution Equipment

## 315A distribution board

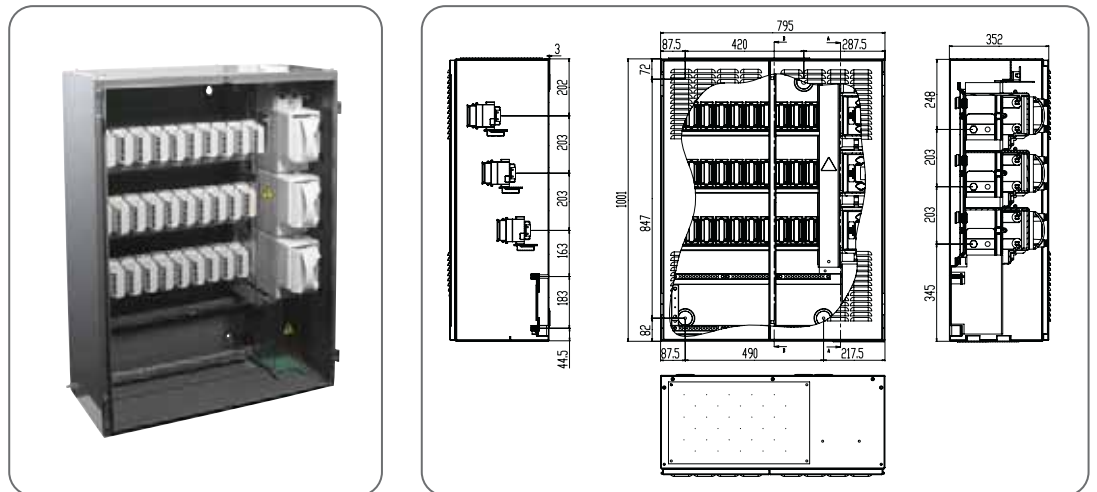
### Technical specification

#### 315A rated busbar with fused incoming cable termination



| Reference | Rating | TP&N ways | Incomer | Doors | Height | Width | Depth | Weight |
|-----------|--------|-----------|---------|-------|--------|-------|-------|--------|
| MODE-3B6  | 315A   | 6         | YW4     | 1     | 1001mm | 583mm | 352mm | 61Kg   |

#### 315A rated busbar with fused incoming cable termination



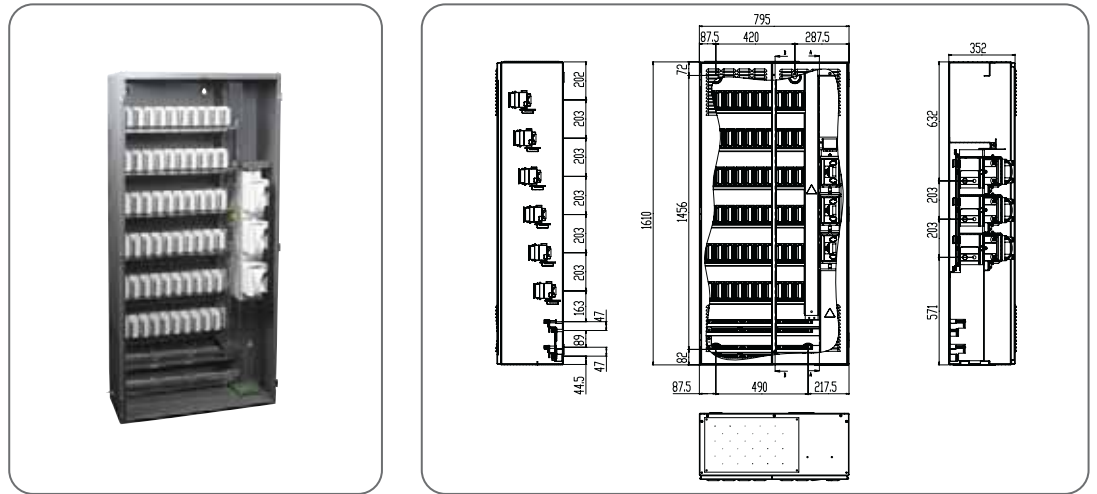
| Reference | Rating | TP&N ways | Incomer | Doors | Height | Width | Depth | Weight |
|-----------|--------|-----------|---------|-------|--------|-------|-------|--------|
| MODE-3B10 | 315A   | 10        | YW4     | 2     | 1001mm | 795mm | 352mm | 90Kg   |

# Multiple Occupancy Distribution Equipment

## 315A distribution board

### Technical specification

#### 315A rated busbar with fused incoming cable termination



| Reference | Rating | TP&N ways | Incomer | Doors | Height | Width | Depth | Weight |
|-----------|--------|-----------|---------|-------|--------|-------|-------|--------|
| MODE-3B20 | 315A   | 20        | YW4     | 2     | 1610mm | 795mm | 352mm | 140Kg  |

#### General technical specification

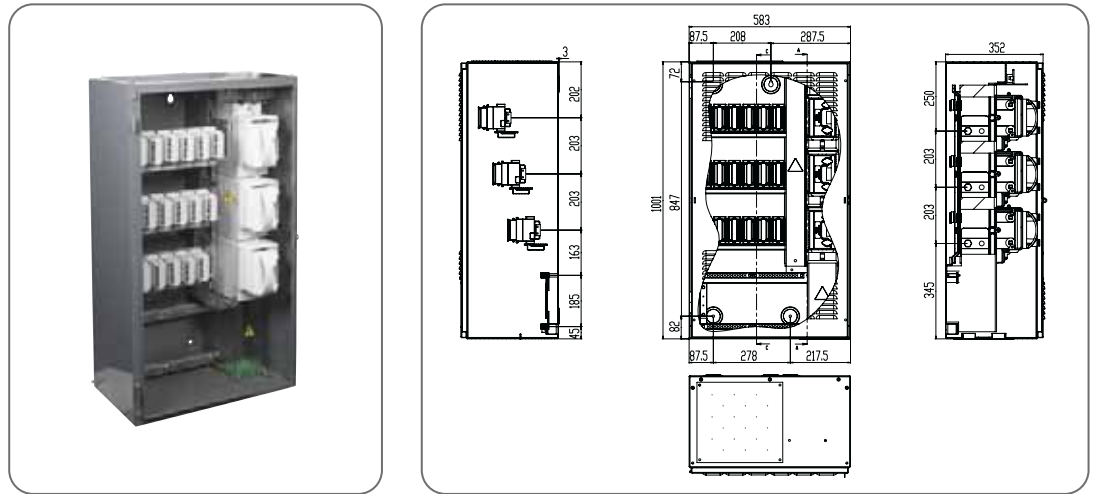
| 315A mode range according to IEC 60439-1                      | Unit            |               |
|---|-----------------|---------------|
| Rated insulation voltage (Ui)                                 | V               | 690           |
| Rated operational voltage (Ue)                                | V               | 415           |
| Rated current (Ie)  | A               | 315           |
| Rated current of house service cut out                        | A               | 100           |
| Rated conditional short circuit current (with fuses)          | kA              | 50            |
| Rated frequency   | Hz              | 50 - 60       |
| YW4 HRC 82mm centre type gU wedge tightening contact fuselink |                 | IEC 60269-2-1 |
| House service cut out HRC fuselink                            |                 | BS 1361       |
| Type of earthing systems                                      |                 | TN-C-S / TN-S |
| Enclosure rating to BS EN 60259                               |                 | IP 31         |
| Operator protection (doors open) to BS EN 60529               |                 | IP XXB        |
| Enclosure dark admiralty grey painted finish to BS 381C       |                 | No. 632       |
| Incoming cable termination                                    |                 | M12           |
| Neutral and earth incoming cable terminations                 |                 | M12           |
| Maximum size of incoming cable for fused shielded fuseway     | mm <sup>2</sup> | 3C 300        |
| Maximum size of outgoing cable from House service cut outs    | mm <sup>2</sup> | SC 35         |

# Multiple Occupancy Distribution Equipment

## 500A distribution board

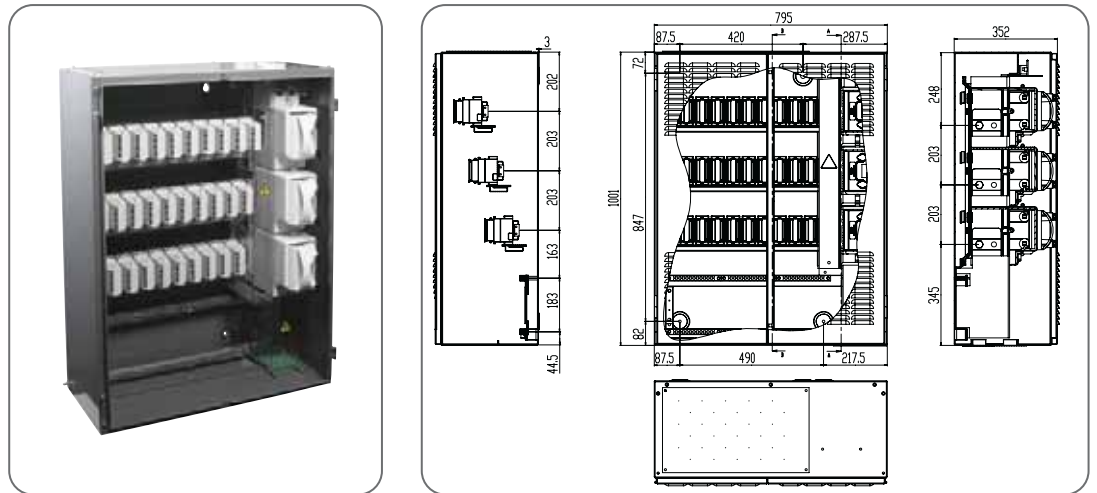
### Technical specification

#### 500A rated busbar with fused incoming cable termination



| Reference | Rating | TP&N ways | Incomer | Doors | Height | Width | Depth | Weight |
|-----------|--------|-----------|---------|-------|--------|-------|-------|--------|
| MODE-5B6  | 500A   | 6         | YW6     | 1     | 1001mm | 583mm | 352mm | 61Kg   |

#### 500A rated busbar with fused incoming cable termination



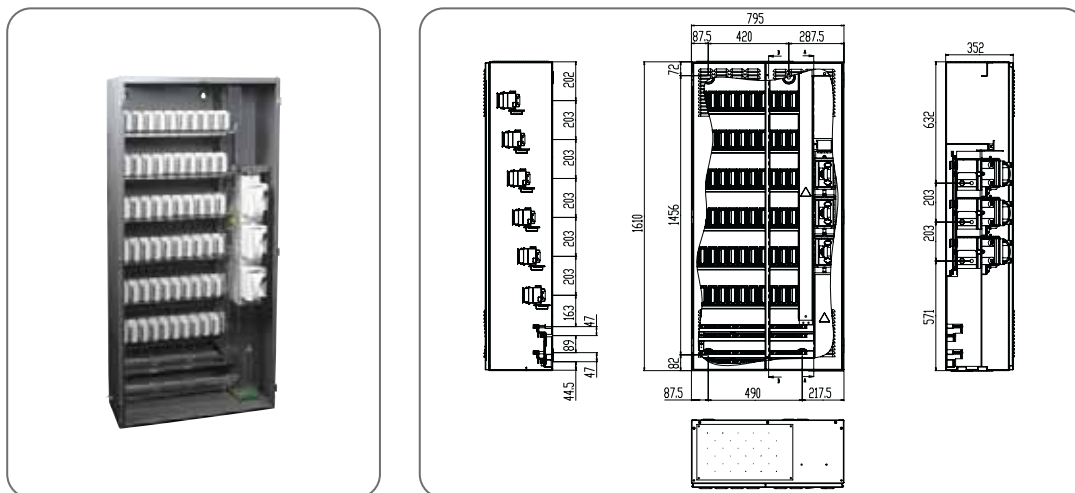
| Reference | Rating | TP&N ways | Incomer | Doors | Height | Width | Depth | Weight |
|-----------|--------|-----------|---------|-------|--------|-------|-------|--------|
| MODE-5B10 | 500A   | 10        | YW6     | 2     | 1001mm | 795mm | 352mm | 84Kg   |

# Multiple Occupancy Distribution Equipment

## 500A distribution board

### Technical specification

#### 500A rated busbar with fused incoming cable termination



| Reference | Rating | TP&N ways | Incomer | Doors | Height | Width | Depth | Weight |
|-----------|--------|-----------|---------|-------|--------|-------|-------|--------|
| MODE-5B20 | 500A   | 20        | YW6     | 2     | 1610mm | 795mm | 352mm | 140Kg  |

#### General technical specification

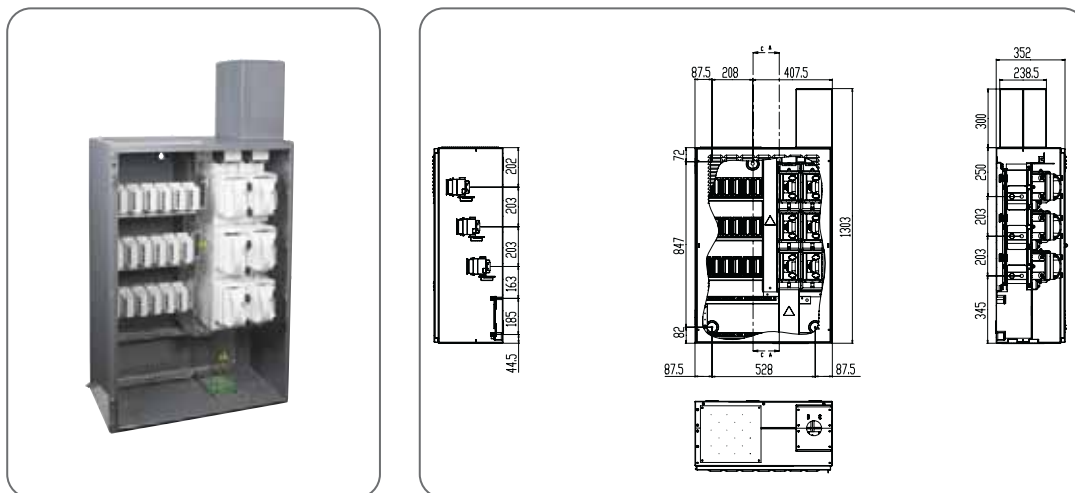
| 500A mode range according to IEC 60439-1                      | Unit            |               |
|---|-----------------|---------------|
| Rated insulation voltage (Ui)                                 | V               | 690           |
| Rated operational voltage (Ue)                                | V               | 415           |
| Rated current (Ie)  | A               | 500           |
| Rated current of house service cut out                        | A               | 100           |
| Rated conditional short circuit current (with fuses)          | kA              | 50            |
| Rated frequency   | Hz              | 50 - 60       |
| YW4 HRC 82mm centre type gU wedge tightening contact fuselink |                 | IEC 60269-2-1 |
| House service cut out HRC fuselink                            |                 | BS 1361       |
| Type of earthing systems                                      |                 | TN-C-S / TN-S |
| Enclosure rating to BS EN 60259                               |                 | IP 31         |
| Operator protection (doors open) to BS EN 60529               |                 | IP XXB        |
| Enclosure dark admiralty grey painted finish to BS 381C       |                 | No. 632       |
| Incoming cable termination                                    |                 | M16           |
| Neutral and earth incoming cable terminations                 |                 | M12           |
| Maximum size of incoming cable for fused shielded fuseway     | mm <sup>2</sup> | 3C 300        |
| Maximum size of outgoing cable from House service cut outs    | mm <sup>2</sup> | SC 35         |

# Multiple Occupancy Distribution Equipment

## Dual 500A distribution board

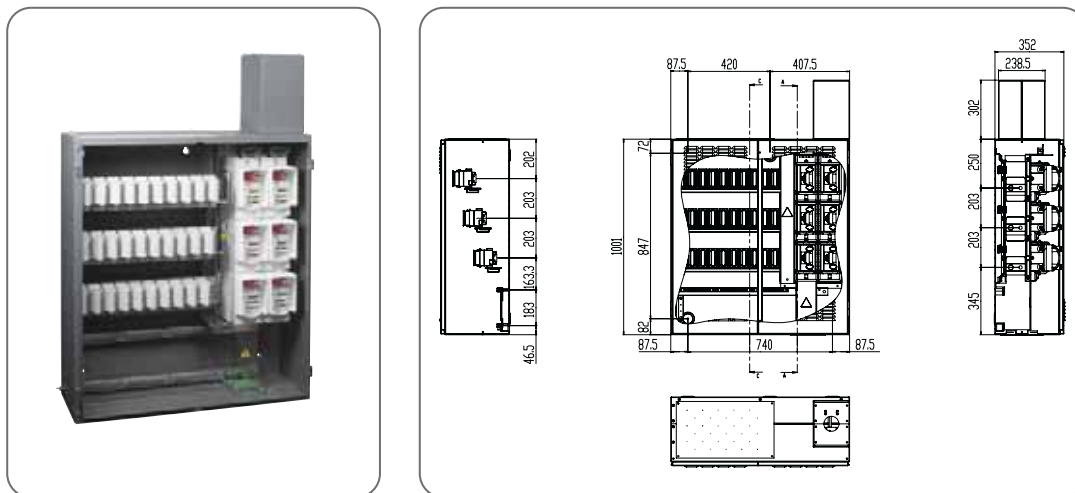
### Technical specification

#### 500A rated busbar with dual fused incoming and outgoing supply



| Reference | Rating | TP&N ways | Inc/Out | Doors | Height | Width | Depth | Weight |
|-----------|--------|-----------|---------|-------|--------|-------|-------|--------|
| MODE-5XC6 | 500A   | 6 + (1)*  | YW6/YW4 | 1     | 1303mm | 703mm | 352mm | 81Kg   |

#### 500A rated busbar with dual fused incoming and outgoing supply



| Reference  | Rating | TP&N ways | Inc/Out | Doors | Height | Width | Depth | Weight |
|------------|--------|-----------|---------|-------|--------|-------|-------|--------|
| MODE-5XC10 | 500A   | 10 + (1)* | YW6/YW4 | 2     | 1303mm | 915mm | 352mm | 96Kg   |

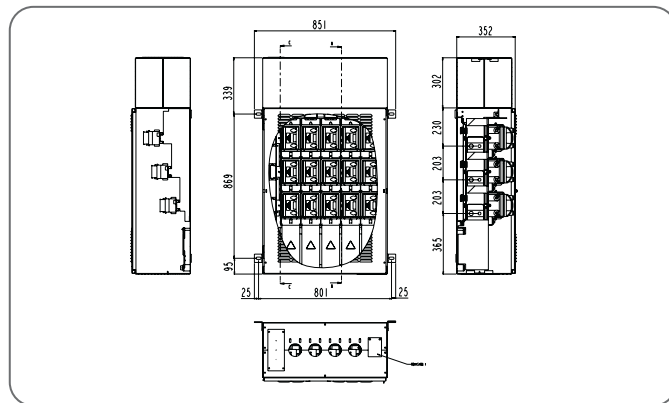
\* Denotes outgoing circuit rated up to 500A to accept solid links or type gU fuselinks to IEC 60269-2-1 Sect. 5.

## Multiple Occupancy Distribution Equipment

### Dual 500A distribution board

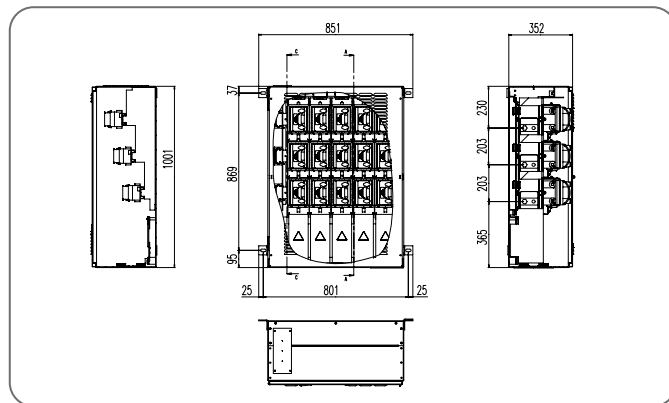
#### Technical specification

**500A rated fused top or bottom entry incoming with up to 4 x TP 200A and 1 x TP 100A top entry**



| Reference   | Rating | TP&N ways | Inc/Out | Doors | Height | Width | Depth | Weight |
|-------------|--------|-----------|---------|-------|--------|-------|-------|--------|
| MODE-5X4D1A | 500A   | 4 + (1)*  | YW6/YW4 | 1     | 1303mm | 703mm | 352mm | 135Kg  |

**500A rated fused incoming and up to 4 x TP 200A bottom entry with 1 x TP 100A top entry**



| Reference   | Rating | TP&N ways | Inc/Out | Doors | Height | Width | Depth | Weight |
|-------------|--------|-----------|---------|-------|--------|-------|-------|--------|
| MODE-5X4D1B | 500A   | 4 + (1)*  | YW6/YW4 | 2     | 1001mm | 915mm | 352mm | 126Kg  |

\* Denotes outgoing circuit rated up to 100A to accept fuse links to BS 1361.

# Multiple Occupancy Distribution Equipment

## 315 to 500A distribution board

### Technical schedule

This document specifies those distribution boards for use indoor at 230/400V where multiple standard domestic 100A services are required within one building.

It is not intended to define the total extent of the offer only those catalogued in this selection guide. Should your requirements not be defined or accomodated by this specification then please contact our customer information centre on 0870 608 8 608.

### Standards

In order to be accepted, the distribution boards comply with the requirements of the following standards, specifications and recommendations.

**BS EN 60439-1:1999** - Specification of low voltage switchgear and control assemblies.

**BS EN 60529** - Specification for degrees of protection provided by enclosures (IP codes).

**BS 7657** - Specification for fuses (cut-outs), ancillary terminal blocks and interconnecting units up to 100A rating, for power supplies to buildings.

**BS 1361:1971** - Specification for cartridge fuses for A.C. circuits in domestic and similar premises.

**IEC 60269-2-1** - Low voltage fuses Part 2 - 1: Supplementary requirements for fuses for use by authorised persons.

**ENA TS 37-2** - Substation and cable distribution boards.

**ISO 9001:2000** - Quality management system.

**ISO 14001:1996** - Environmental management system.



### Technical

#### 1. General

The only allowed types of distribution board will be a 6, 10 and 20 way board.

#### 2. Incoming cable

The unit shall be bottom cable entry, The unit shall be capable of accepting up to a 300mm<sup>2</sup> cable. The incoming cable shall be fused before feeding the busbars. The incoming fuse ways shall be ENA approved shielded pattern type. The busbars are to be fully insulated to IPXXB in accordance with BS EN 60529, with no access to any bare live metalwork at all possible, when the fuse carriers in place.

#### 3 Enclosure

The enclosure shall be IP31 rated in accordance with BS EN 60529. The doors shall be open to a minimum of 180 degrees whilst also being removable. The door shall hinge from the LHS as standard with the option to re-assemble the door to hinge on the RHS.





#### 4. Outgoing circuits

The service cut-out shall be typically of the 100 A rating. The cut-out shall be in accordance with the requirements of BS7657. Every exit point shall have an individual fuse link to allow the de-energisation and isolation of their and only their supply. Service fuse links shall be of an ENA approved design.

# Multiple Occupancy Distribution Equipment

## Accessories and spares

### Selection table

|        | REF - MA1  |        | REF - MA2   |         | REF - MA3   |  | REF - MA4  |  | REF - MA5   |        |
|--------|--|--------|---|---------|---|--|--|--|---|--------|
|        |  <p>Incoming mechanical clamp kits.<br/><b>Item 1</b><br/>up to 1 x 3C<br/>120mm<sup>2</sup><br/><b>Item 2</b><br/>up to 1 x 4C<br/>120mm<sup>2</sup></p> |        | <p>Heavy duty cutout mating box kits<br/><b>Item 1/3/5/7</b><br/>for MG SCHED4<br/><b>Item 2/4/6/8</b><br/>for Lucy GF400/600<br/><b>Item 9/10/11/12</b><br/>for Lucy GF200</p> |         |  <p>Fused incoming Padlocking device</p> |  |  <p>300mm Incoming extension cable box for 4 core cable termination</p> |  |  <p>Incoming mechanical clamp kits<br/><b>Item 1</b><br/>up to 1 x 3C<br/>300mm<sup>2</sup><br/><b>Item 2</b><br/>up to 1 x 4C<br/>240mm<sup>2</sup></p> |        |
| Ref.   |  |        |   |         |   |  |  |  |   |        |
| 2A2    | Item 1   | Item 2 | Item 1  | Item 9  | Item 2  |  |  |  |   |        |
| 2A3    | Item 1   | Item 2 | Item 3  | Item 10 | Item 4  |  |  |  |   |        |
| 2A4    | Item 1   | Item 2 | Item 5  | Item 11 | Item 6  |  |  |  |   |        |
| 3A5    | Item 1   | Item 2 | Item 7  | Item 12 | Item 8  |  |  |  |   |        |
| 3B6    |  |        |   |         |   |  |  |  | Item 1  | Item 2 |
| 3B10   |  |        |   |         |   |  |  |  | Item 1  | Item 2 |
| 3B20   |  |        |   |         |   |  |  |  | Item 1  | Item 2 |
| 5C6    |  |        |   |         |   |  |  |  | Item 1  | Item 2 |
| 5C10   |  |        |   |         |   |  |  |  | Item 1  | Item 2 |
| 5C20   |  |        |   |         |   |  |  |  | Item 1  | Item 2 |
| 5XD6   |  |        |   |         |   |  |  |  | Item 1  | Item 2 |
| 5XD10  |  |        |   |         |   |  |  |  | Item 1  | Item 2 |
| 5X4E1A |  |        |   |         |   |  |  |  | Item 1  | Item 2 |
| 5X4E1B |  |        |   |         |   |  |  |  | Item 1  | Item 2 |






Available

Not available

## Multiple Occupancy Distribution Equipment

### Accessories and spares

#### Selection table

|               | REF - MA6  | REF - MA7  | REF - MA8   | REF - MA9   | REF - MA10  |
|---------------|--|--|---|---|---|
|               |               |           |  |  |  |
|               | 315A/500A Fused way fuse carriers (set of three)<br><br><b>Item 1</b> YW4<br><b>Item 2</b> YW6 | Solid Links for fuse carriers (set of three)<br><br><b>Item 1</b> YW4<br><b>Item 2</b> YW6 | Undrilled plywood outgoing cable cover  | Drilled aluminium gland plate with plastic stuffing glands                          | Drilled aluminium gland plate with conical plastic grommets                         |
| <b>Ref.</b>   |  |  |   |   |   |
| <b>2A2</b>    |  |  | Item 1  | Item 1  | Item 1  |
| <b>2A3</b>    |  |  | Item 2  | Item 2  | Item 2  |
| <b>2A4</b>    |  |  | Item 3  | Item 3  | Item 3  |
| <b>3A5</b>    |  |  | Item 7  | Item 7  | Item 8  |
| <b>3B6</b>    | Item 1   | Item 1   | Item 4  | Item 4  | Item 4  |
| <b>3B10</b>   | Item 1   | Item 1   | Item 5  | Item 5  | Item 5  |
| <b>3B20</b>   | Item 1   | Item 1   | Item 5  |   | Item 6  |
| <b>5B6</b>    |  |  | Item 4  | Item 4  | Item 4  |
| <b>5B10</b>   |  |  | Item 5  | Item 5  | Item 5  |
| <b>5B20</b>   |  |  | Item 5  |   | Item 6  |
| <b>5XC6</b>   | Item 1   | Item 1   | Item 4  | Item 4  | Item 4  |
|               | Item 2   | Item 2   |   |   |   |
| <b>5XC10</b>  | Item 1   | Item 1   | Item 5  | Item 5  | Item 5  |
|               | Item 2   | Item 2   |   |   |   |
| <b>5X4D1A</b> | Item 1   | Item 1   | Item 6  | Item 6  | Item 7  |
|               | Item 2   | Item 2   |   |   |   |
| <b>5X4D1B</b> | Item 1   | Item 1   | Item 6  | Item 6  | Item 7  |
|               | Item 2   | Item 2   |   |   |   |

Available

Not available

# Multiple Occupancy Distribution Equipment

## Order form

1 of 2

### 200A rated busbar with incoming direct cable termination

| Reference | SP ways | Price £ | Qty |
|-----------|---------|---------|-----|
| 2A2       | 6       | 259.00  |     |
| 2A3       | 9       | 301.00  |     |
| 2A4       | 12      | 387.00  |     |
| 3A5       | 15      | 495.00  |     |

### 500A rated busbar with fused incoming cable termination

| Reference | SP ways | Price £ | Qty |
|-----------|---------|---------|-----|
| 5B6       | 18      | 1067.00 |     |
| 5B10      | 30      | 1319.00 |     |
| 5B20      | 60      | 1835.00 |     |

### 315A rated busbar with fused incoming cable termination

| Reference | SP ways | Price £ | Qty |
|-----------|---------|---------|-----|
| 3B6       | 18      | 903.00  |     |
| 3B10      | 30      | 1189.00 |     |
| 3B20      | 60      | 1763.00 |     |

### 500A rated busbar with dual fused incoming and outgoing supply

| Reference | SP ways   | Price £ | Qty |
|-----------|-----------|---------|-----|
| 5XC6      | 18 + (3)* | 1376.00 |     |
| 5XC10     | 18 + (3)* | 1663.00 |     |

\* Denotes fused outgoing circuit rated up to 500A

### 500A rated fused incoming including 4 x TP 200A outgoing circuits and 3 x SP 100A

| Reference | SP ways   | Price £ | Qty |
|-----------|-----------|---------|-----|
| 5X4D1A    | 12 + (3)* | 2036.00 |     |
| 5X4D1B    | 12 + (3)* | 1979.00 |     |

\* Denotes fused outgoing circuit rated up to 100A

Please photocopy, complete and return to:

**Merlin Gerin Public Distribution**  
**Schneider Electric Limited**  
 Cayton Low Road  
 Eastfield  
 Scarborough  
 YO11 3DA  
 United Kingdom

Tel: +44 (0) 1723 502 800  
 Fax: +44 (0) 1723 502 860  
 Email: LVswitchgearGB@gb.schneider-electric.com

#### End user net trade price list

- 1) This price list is effective from 1st June 2006
- 2) Prices ruling at date of despatch
- 3) All transactions are subject to our general conditions of sale which are available upon request

Company name: \_\_\_\_\_

Address: \_\_\_\_\_  
 \_\_\_\_\_  
 \_\_\_\_\_  
 \_\_\_\_\_

Post code: \_\_\_\_\_

Contact: \_\_\_\_\_

Position: \_\_\_\_\_

Tel: \_\_\_\_\_

Fax: \_\_\_\_\_

Email: \_\_\_\_\_

Project: \_\_\_\_\_

Delivery Address (if different to above) \_\_\_\_\_  
 \_\_\_\_\_  
 \_\_\_\_\_

Postcode: \_\_\_\_\_

# Multiple Occupancy Distribution Equipment

## Order form

2 of 2

### MODE range accessories and spares

| Reference |         | Price £ | Qty | Reference |        | Price £ | Qty |
|-----------|---------|---------|-----|-----------|--------|---------|-----|
| MA1       | Item 1  | £35.00  |     | MA9       | Item 1 | £28.00  |     |
| MA1       | Item 2  | £40.00  |     | MA9       | Item 2 | £35.00  |     |
| MA2       | Item 1  | £20.00  |     | MA9       | Item 3 | £43.00  |     |
| MA2       | Item 2  | £28.00  |     | MA9       | Item 4 | £51.00  |     |
| MA2       | Item 3  | £24.00  |     | MA9       | Item 5 | £99.00  |     |
| MA2       | Item 4  | £31.00  |     | MA9       | Item 6 | £14.00  |     |
| MA2       | Item 5  | £27.00  |     | MA9       | Item 7 | £47.00  |     |
| MA2       | Item 6  | £36.00  |     | MA10      | Item 1 | £22.00  |     |
| MA2       | Item 7  | £28.00  |     | MA10      | Item 2 | £24.00  |     |
| MA2       | Item 8  | £38.00  |     | MA10      | Item 3 | £26.00  |     |
| MA2       | Item 9  | £28.00  |     | MA10      | Item 4 | £28.00  |     |
| MA2       | Item 10 | £31.00  |     | MA10      | Item 5 | £32.00  |     |
| MA2       | Item 11 | £36.00  |     | MA10      | Item 6 | £44.00  |     |
| MA2       | Item 12 | £38.00  |     | MA10      | Item 7 | £12.00  |     |
| MA3       |         | £38.00  |     | MA10      | Item 8 | £27.00  |     |
| MA4       |         | £46.00  |     |           |        |         |     |
| MA5       | Item 1  | £40.00  |     |           |        |         |     |
| MA5       | Item 2  | £55.00  |     |           |        |         |     |
| MA6       | Item 1  | £59.00  |     |           |        |         |     |
| MA6       | Item 2  | £62.00  |     |           |        |         |     |
| MA7       | Item 1  | £17.33  |     |           |        |         |     |
| MA7       | Item 2  | £17.33  |     |           |        |         |     |
| MA8       | Item 1  | £6.00   |     |           |        |         |     |
| MA8       | Item 2  | £8.00   |     |           |        |         |     |
| MA8       | Item 3  | £10.00  |     |           |        |         |     |
| MA8       | Item 4  | £12.00  |     |           |        |         |     |
| MA8       | Item 5  | £14.00  |     |           |        |         |     |
| MA8       | Item 6  | £4.00   |     |           |        |         |     |
| MA8       | Item 7  | £12.00  |     |           |        |         |     |

**Additional information**

---

---

---

---

---

---

---

---

---

---

---

---

Please photocopy, complete and return to:

**Merlin Gerin Public Distribution  
Schneider Electric Limited**  
Cayton Low Road  
Eastfield  
Scarborough  
YO11 3DA  
United Kingdom

Tel: +44 (0) 1723 502 800  
Fax: +44 (0) 1723 502 860  
Email: LVswitchgearGB@gb.schneider-electric.com

**Company name:** \_\_\_\_\_

**Address:** \_\_\_\_\_

\_\_\_\_\_

\_\_\_\_\_

\_\_\_\_\_

\_\_\_\_\_ **Post code:** \_\_\_\_\_

**Contact:** \_\_\_\_\_

**Position:** \_\_\_\_\_

**Tel:** \_\_\_\_\_

**Fax:** \_\_\_\_\_

**Email:** \_\_\_\_\_

# Multiple Occupancy Distribution Equipment

## The complete offer

---

### The complete guide to low voltage switchgear



**Brochure ref: MGLV5488**

This brochure details the complete range of low voltage switchgear from Merlin Gerin. Products featured include the SAIF range, shielded fusegear, NS feeder pillars, the Opus range and package substations.

### Shielded fusegear, fused cabinets, boards & feeder pillars up to 3200A



The market leading offer for low voltage distribution networks. Merlin Gerin manufactures LV fuse cabinets, fuse boards and feeder pillars for over 70% of the UK distribution network operators. This equipment can also form part of a total package substation solution from Merlin Gerin.

### Shielded heavy duty cutout - indoor switch gear up to 630A



A fully insulated moulded heavy duty cut out providing complete segregation and high levels of operator protection. This flexible offer is ideal for a point of isolation and connection to the customers distribution equipment via the metering panel.

All of the above brochures can be downloaded by visiting our website at [www.schneider.co.uk](http://www.schneider.co.uk) and clicking on downloads, electrical distribution, public distribution.



**WWW.CABLEJOINTS.CO.UK**  
**THORNE & DERRICK UK**  
**TEL 0044 191 490 1547 FAX 0044 477 5371**  
**TEL 0044 117 977 4647 FAX 0044 977 5582**  
**WWW.THORNEANDDERRICK.CO.UK**