

# Compact, Single Pole Overhead Cut-out

## 400A Rating



This overhead cut-out can be pole, cross arm or wall mounted, it's compact size allowing optimised arrangements resulting in less obtrusive installations.

Mechanical terminals with shear-head bolts replace the studs usually associated with this type of cut-out eliminating the need for additional connecting lugs and specialised tools to ensure a simple, safe and effective joint.

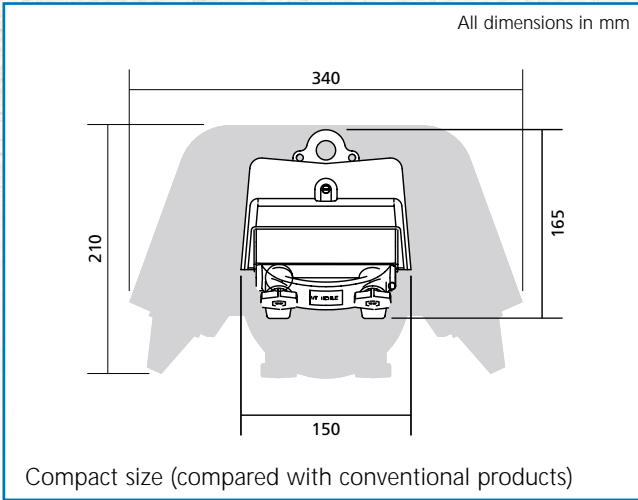
The terminals will accept solid or stranded aluminium and solid copper conductors in the range 70 to 300mm<sup>2</sup>.

The fuse carrier accepts 'J' type fuses to BS88 rated up to 400A.

With the PVC cable sealing grommets in place the cut-out is IP43 rated and has been designed to fully comply with the performance requirements specified in BS7656: 1993 for LV pole mounting fuses.

The enclosure is moulded in Henley's own high performance, glass-reinforced polyester – renowned and proven worldwide.

- Compact design for optimised mounting arrangements
- Mechanical terminals require no additional lugs
- Shear bolts - needs no special tools
- Accepts aluminium and copper conductors between 70 and 300mm<sup>2</sup>
- Designed for IP43 rating and performance compliance with BS7656:1993



Product code	Description
54611-12	Compact 400A cut-out with M12 coach screw
58424-06	Spare fuse carrier
54614-18	Spare terminal assembly kit (left and right hand)

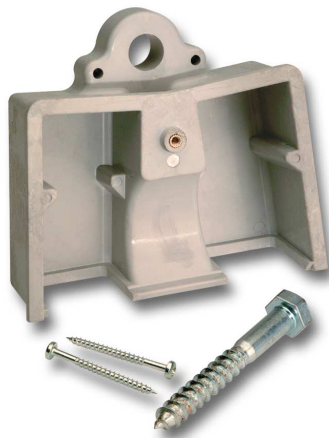
Contact us for alternative fixing kits or fuse-inclusive versions



Mechanical terminals with multi-shear bolts - no additional connecting lugs or special tools required



Spare terminal assembly kit (54614-18)



Coach screw (supplied) or No 8 wood screw fixing options



Spare fuse carrier (58424-06)



**WWW.CABLEJOINTS.CO.UK**  
**THORNE & DERRICK UK**  
 TEL 0044 191 490 1547 FAX 0044 477 5371  
 TEL 0044 117 977 4647 FAX 0044 977 5582  
**WWW.THORNEANDDERRICK.CO.UK**