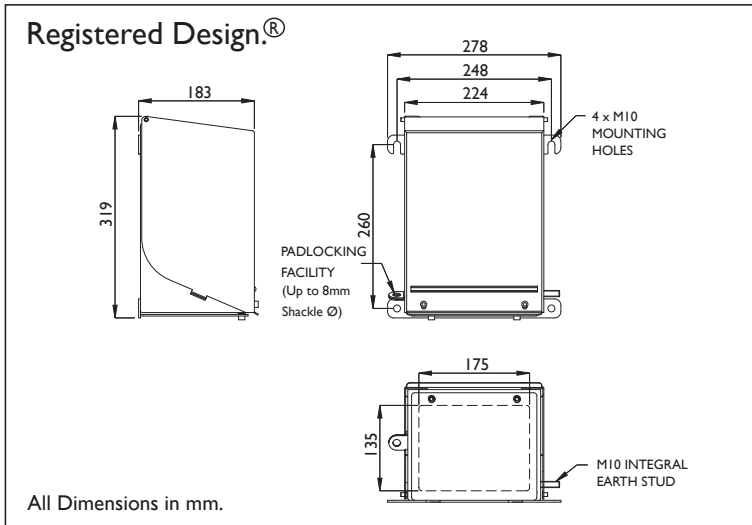




Enclosure Type Stainless Steel EZE 22

Increased Safety Exe
Dual Certified ATEX/IECEx

EZE Stainless Steel Enclosures



Technical Data

- Increased Safety Exe. Ⓔ II 2 GD Exe II.
- EZE 22 Certificate No. Baseefa 08 ATEX 0364X & IECEx BAS 08.0125X.
- ZEZE-22 (Empty) Certificate No. Baseefa 08 ATEX 0363U & IECEx BAS 08.0124U.
- Suitable for use in Zone 1, Zone 2, Zone 21 & Zone 22.
- Construction and test standards IEC/EN 60079-0, IEC/EN 60079-7, IEC/EN 61241-0 and IEC/EN 61241-1.
- IP66 ingress protection to IEC/EN 60529.
- DTS01 deluge protection.
- Operating temperature range -40°C to +80°C.
- Temperature Class and Ambient T6 40°C. Optional T5 with ambients up to 65°C.
- Assembly instruction data sheet No. A.I. 280. For EZE 22.
- Assembly instruction data sheet No. A.I. 281. For EZE Z22.

MAXIMUM QUANTITY OF ENTRIES							
Thread Size	M16	M20/Os & O	M20/A	M25	M32	M40	M50
Bottom Face Quantity	20	20	14(12*)	9(8*)	6	4	2

* Recommended maximum for cable gland installation.

TERMINAL CAPACITY DATA									
Terminal Type	Conductor Size (mm ²)		Max. Volts	Typical Terminal Arrangements					
				1 Vertical Rail (Max. Physical)		1 Vertical Rail (Max. Current)		2 Vertical Rail * (Max. Physical)	
	Min.	Max.		Terminal Quantity	Amps	Terminal Quantity	Amps	Terminal Quantity	Amps
WDU 2.5N	0.5	2.5	420	38	11	17	17	76	8
WDU 2.5	0.5	2.5	550	38	11	17	17	-	-
WDU 4	0.5	4	690	32	15	16	22	-	-
WDU 6	0.5	6	550	24	21	13	29	-	-
WDU 10	1.5	10	550	19	30	11	40	-	-
WDU 16	1.5	16	690	16	41	9	53	-	-
WDU 35	2.5	35	690	12	67	7	87	-	-

Information in the table above is based on the maximum conductor size permitted for the terminal.

If earth terminals are required, the quantity should be taken from the maximum physical terminal quantity.

* Special box arrangement with rail heights staggered.

Notes: A combination of different sized entries is possible, please contact Hawke for more information.
The table above gives an indication of potential terminal arrangements. Please contact Hawke for information on other arrangements or empty enclosures.
A combination of different sized terminals is possible, please contact Hawke for more information.
Other terminal types are available.