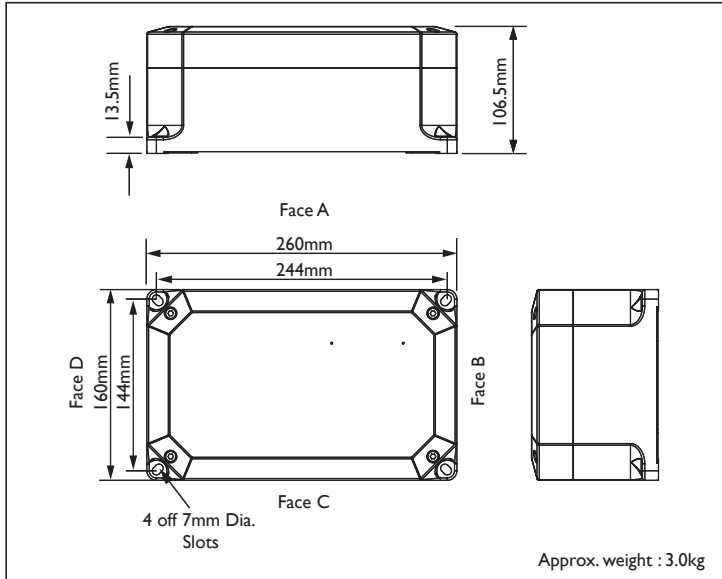




# Enclosure Type Glass Reinforced Polyester PL626

Increased Safety Exe  
Dual Certified ATEX/IECEX



## Technical Data

- Increased Safety Exe. Ⓜ II 2 GD Exe II, ExtD.
- PL626 BASEEFA Certificate No. BAS 01 ATEX 2107X. Baseefa 06ATEX0117X. IECEX BAS 06.0028X.
- ZPL626 BASEEFA Certificate No. BAS 01 ATEX 2101U. Baseefa 06ATEX0116U. IECEX Bas 06.0027U.
- Suitable for use in Zone 1, Zone 2, Zone 21 & Zone 22.
- Construction and test standards IEC 60079-0, IEC 60079-7, IEC 61241-0 and IEC 61241-1. EN 60079-0, EN 60079-7, EN61241-0 and EN 61241-1.
- IP66 and IP67 ingress protection to IEC 60529 and EN 60529.
- DTS01 deluge protection witnessed by EECS.
- Operating temperature range -60°C to +75°C.
- Temperature Class and Ambient T6 40°C. Optional T5 with ambients up to 65°C.
- Assembly instruction data sheet No. A.I. 273.
- Alternative Certification Options Available.
- GOST R-Exe IIIU.

PL6 Series GRP Enclosures

MAXIMUM QUANTITY OF ENTRIES PER FACE					
Thread Size	M16	M20/O	M20/A	M25	M32
Face A/C	9	9	7	4	3
Face B/D	3	3	3	2	1

A combination of different sized entries is possible, please contact Hawke for more information.

The table below gives an indication of potential terminal arrangements.

Please contact Hawke for information on other arrangements or empty enclosures.

A combination of different sized terminals is possible, please contact Hawke for more information.

Other terminal types are available.

For full Technical Specification see page 13.

TERMINAL CAPACITY DATA							
Terminal Type	Conductor Size (mm <sup>2</sup> )		Max. Volts	Maximum Number of Terminals		High Power Applications	
	Min.	Max.		Terminal Quantity	Amps	Terminal Quantity	Amps
WDU 2.5	0.5	2.5	550	38	11	15	17
WDU 4	0.5	4	690	32	15	14	22
WDU 6	0.5	6	550	24	20	11	29
WDU 10	1.5	10	550	19	28	9	40
WDU 16	1.5	16	690	16	39	8	53
WDU 35	2.5	35	690	12	62	6	87

**Notes:** For Junction Box Wattage Factor & Combined Terminal Resistance see pages 37 - 39.

An earth terminal equal to that of the largest power terminal will be fitted.

The terminals listed are restricted to a minimum operating temperature of -50°C.