

TK Series IP66 Empty Enclosures

More than 400 standard enclosures
are available



TK Series IP66 Empty enclosures

For protected and unprotected installations

Product Designation System

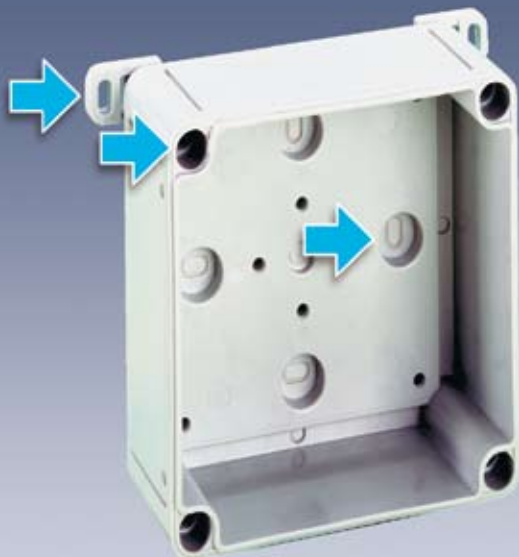
Material
 PS = polystyrene
 PC = polycarbonate

Lid material
 T = transparent
 n/a = grey

Height in cm

PS 1309 - 8 -tm

Length x width in cm m = metric
 o = smooth walls
 tv = with moulded cable gland



TK empty enclosures

- IP 66 polystyrene or glass-fibre-reinforced polycarbonate shockproof
- temperature-resistant
- Individual choice of fixing
- 14 basic enclosures with 2 base depths and up to 3

- different cover heights
- extensive accessories
- Quality documented by quality marks and approvals

Special solutions

- with UL approval
- with ATEX approval
- HF for EMC applications

From development to

manufacture from one source

Customers' individual enclosures are drawn in 2D or 3D and the first prototypes are manufactured in our own tool room. If required, these will also be assembled.

Modular design allows assembly next to each other and above or below.

TK Series - IP66 in Polystyrene

- flame resistant
- impact resistant
- withstands temperatures up to 70°C



Base grey / Cover grey				Base grey / Cover transparent				
with smooth walls		with metric pre-punched knockouts		with smooth walls		with metric pre-punched knockouts		L W H mm
Type	Cat No.	Type	Cat No.	Type	Cat No.	Type	Cat No.	Dimensions
PS 55 - 4 -o <small>(Integral Glands to 10mm) 129-455</small>	110 455 01	PS 55 - 4 -m <small>(Integral Glands to 10mm) 129-455</small>	105 455 01	PS 55 - 4 -to <small>(Integral Glands to 10mm) 139-455</small>	111 455 01	PS 55 - 4 -tm <small>(Integral Glands to 10mm) 139-455</small>	106 455 01	52 x 50 x 35
PS 75 - 4 -o <small>(Integral Glands to 10mm) 129-475</small>	110 475 01	PS 75 - 4 -m <small>(Integral Glands to 10mm) 129-475</small>	105 475 01	PS 75 - 4 -to <small>(Integral Glands to 10mm) 139-475</small>	111 475 01	PS 75 - 4 -tm <small>(Integral Glands to 10mm) 139-475</small>	106 475 01	65 x 50 x 35
PS 77 - 6 -o	110 401 01	PS 77 - 6 -m	105 401 01	PS 77 - 6 -to	111 001 01	PS 77 - 6 -tm	106 001 01	65 x 65 x 57
PS 77 - 8 -o	110 901 01	PS 77 - 8 -m	105 901 01	PS 77 - 8 -to	111 501 01	PS 77 - 8 -tm	106 501 01	65 x 65 x 81
PS 97 - 6 -o	110 402 01	PS 97 - 6 -m	105 402 01	PS 97 - 6 -to	111 002 01	PS 97 - 6 -tm	106 002 01	94 x 65 x 57
PS 97 - 8 -o	110 902 01	PS 97 - 8 -m	105 902 01	PS 97 - 8 -to	111 502 01	PS 97 - 8 -tm	106 502 01	94 x 65 x 81
PS 99 - 6 -o	110 403 01	PS 99 - 6 -m	105 403 01	PS 99 - 6 -to	111 003 01	PS 99 - 6 -tm	106 003 01	94 x 94 x 57
PS 99 - 8 -o	110 903 01	PS 99 - 8 -m	105 903 01	PS 99 - 8 -to	111 503 01	PS 99 - 8 -tm	106 503 01	94 x 94 x 81
PS 1111 - 7 -o	110 404 01	PS 1111 - 7 -m	105 404 01	PS 1111 - 7 -to	111 004 01	PS 1111 - 7 -tm	106 004 01	110 x 110 x 66
PS 1111 - 9 -o	110 904 01	PS 1111 - 9 -m	105 904 01	PS 1111 - 9 -to	111 504 01	PS 1111 - 9 -tm	106 504 01	110 x 110 x 90
PS 1309 - 6 -o	110 409 01	PS 1309 - 6 -m	105 409 01	PS 1309 - 6 -to	111 009 01	PS 1309 - 6 -tm	106 009 01	130 x 94 x 57
PS 1309 - 8 -o	110 909 01	PS 1309 - 8 -m	105 909 01	PS 1309 - 8 -to	111 509 01	PS 1309 - 8 -tm	106 509 01	130 x 94 x 81
PS 1313 - 7 -o	110 405 01	PS 1313 - 7 -m	105 405 01	PS 1313 - 7 -to	111 005 01	PS 1313 - 7 -tm	106 005 01	130 x 130 x 75
PS 1313 -10 -o	110 905 01	PS 1313 -10 -m	105 905 01	PS 1313 -10 -to	111 505 01	PS 1313 -10 -tm	106 505 01	130 x 130 x 99
PS 1809 - 6 -o	110 410 01	PS 1809 - 6 -m	105 410 01	PS 1809 - 6 -to	111 010 01	PS 1809 - 6 -tm	106 010 01	180 x 94 x 57
PS 1809 - 8 -o	110 910 01	PS 1809 - 8 -m	105 910 01	PS 1809 - 8 -to	111 510 01	PS 1809 - 8 -tm	106 510 01	180 x 94 x 81
PS 1811 - 9 -o	110 406 01	PS 1811 - 9 -m	105 406 01	PS 1811 - 9 -to	111 006 01	PS 1811 - 9 -tm	106 006 01	180 x 110 x 90
PS 1811 -11 -o	110 906 01	PS 1811 -11 -m	105 906 01	PS 1811 -11 -to	111 506 01	PS 1811 -11 -tm	106 506 01	180 x 110 x 111
PS 1811 -16 -o	109 406 01	PS 1811 -16 -m	104 406 01	PS 1811 -16 -to	112 006 01	PS 1811 -16 -tm	107 006 01	180 x 110 x 165
PS 1811 -6f -o	110 414 01	PS 1811 -6f -m	105 414 01	PS 1811 -6f -to	111 014 01	PS 1811 -6f -tm	106 014 01	180 x 110 x 63
PS 1811 -8f -o	110 914 01	PS 1811 -8f -m	105 914 01	PS 1811 -8f -to	111 514 01	PS 1811 -8f -tm	106 514 01	180 x 110 x 84
PS 1811 -13f -o	109 414 01	PS 1811 -13f -m	104 414 01	PS 1811 -13f -to	112 014 01	PS 1811 -13f -tm	107 014 01	180 x 110 x 137
PS 1818 - 9 -o	110 407 01	PS 1811 - 9 -m	105 407 01	PS 1818 - 9 -to	111 007 01	PS 1818 - 9 -tm	106 007 01	182 x 180 x 90
PS 1818 -11 -o	110 907 01	PS 1818 -11 -m	105 907 01	PS 1818 -11 -to	111 507 01	PS 1818 -11 -tm	106 507 01	182 x 180 x 111
PS 1818 -16 -o	109 407 01	PS 1818 -16 -m	104 407 01	PS 1818 -16 -to	112 007 01	PS 1818 -16 -tm	107 007 01	182 x 180 x 165
PS 1818 -6f -o	110 413 01	PS 1818 -6f -m	105 413 01	PS 1818 -6f -to	106 013 01	PS 1818 -6f -tm	111 013 01	182 x 180 x 63
PS 1818 -8f -o	110 913 01	PS 1818 -8f -m	105 913 01	PS 1818 -8f -to	106 513 01	PS 1818 -8f -tm	111 513 01	182 x 180 x 84
PS 1818 -13f -o	109 413 01	PS 1818 -13f -m	104 413 01	PS 1818 -13f -to	107 013 01	PS 1818 -13f -tm	112 013 01	182 x 180 x 137
PS 2518 - 9 -o	110 408 01	PS 2518 - 9 -m	105 408 01	PS 2518 - 9 -to	111 008 01	PS 2518 - 9 -tm	106 008 01	254 x 180 x 90
PS 2518 -11 -o	110 908 01	PS 2518 -11 -m	105 908 01	PS 2518 -11 -to	111 508 01	PS 2518 -11 -tm	106 508 01	254 x 180 x 111
PS 2518 -16 -o	109 408 01	PS 2518 -16 -m	104 408 01	PS 2518 -16 -to	112 008 01	PS 2518 -16 -tm	107 008 01	254 x 180 x 165
PS 2518 - 6 -o	110 411 01	PS 2518 -6f -m	105 411 01	PS 2518 - 6 -to	111 011 01	PS 2518 -6f -tm	106 011 01	254 x 180 x 63
PS 2518 - 8 -o	110 911 01	PS 2518 -8f -m	105 911 01	PS 2518 - 8 -to	111 511 01	PS 2518 -8f -tm	106 511 01	254 x 180 x 84
PS 2518 -13 -o	109 411 01	PS 2518 -13f -m	104 411 01	PS 2518 -13 -to	112 011 01	PS 2518 -13f -tm	106 011 01	254 x 180 x 137
PS 3625 -11 -o	110 412 01	PS 3625 -11 -m	105 412 01	PS 3625 -11 -t	111 012 01	PS 3625 -11 -tm	107 012 01	360 x 254 x 111
PS 3625 -16 -o	110 912 01	PS 3625 -16 -m	105 912 01	PS 3625 -16 -to	111 512 01	PS 3625 -16 -tm	106 512 01	360 x 254 x 165

TK Series - IP66 in Polycarbonate

- glass fibre reinforced
- flame resistant
- UV resistant
- withstands temperatures up to 120°C
- also available UL/CSA approved
- Exe Component approved



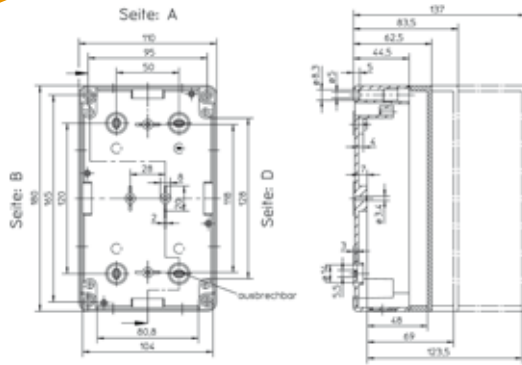
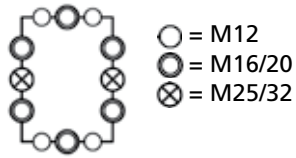
Base grey / Cover grey				Base grey / Cover transparent				
with smooth walls		with metric pre-punched knockouts		with smooth walls		with metric pre-punched knockouts		L W H mm
Type	Cat No.	Type	Cat No.	Type	Cat No.	Type	Cat No.	Dimensions
PC 55 - 4 <small>(Integral Glands to 10mm) 129-455</small>	120 455 01	PC 55 - 4 -m <small>(Integral Glands to 10mm) 129-455</small>	127 455 01	PC 55 - 4 -t <small>(Integral Glands to 10mm) 139-455</small>	130 455 01	PC 55 - 4 -tm <small>(Integral Glands to 10mm) 139-455</small>	137 455 01	52 x 50 x 35
PC 75 - 4 <small>(Integral Glands to 10mm) 129-475</small>	120 475 01	PC 75 - 4 -m <small>(Integral Glands to 10mm) 129-475</small>	127 475 01	PC 75 - 4 -t <small>(Integral Glands to 10mm) 139-475</small>	130 475 01	PC 75 - 4 -tm <small>(Integral Glands to 10mm) 139-475</small>	137 475 01	65 x 50 x 35
PC 77 - 6	120 401 01	PC 77 - 6 -m	127 401 01	PC 77 - 6 -t	130 001 01	PC 77 - 6 -tm	137 001 01	65 x 65 x 57
PC 77 - 8	120 901 01	PC 77 - 8 -m	127 901 01	PC 77 - 8 -t	130 501 01	PC 77 - 8 -tm	137 501 01	65 x 65 x 81
PC 97 - 6	120 402 01	PC 97 - 6 -m	127 402 01	PC 97 - 6 -t	130 002 01	PC 97 - 6 -tm	137 002 01	94 x 65 x 57
PC 97 - 8	120 403 01	PC 97 - 8 -m	127 902 01	PC 97 - 8 -t	130 502 01	PC 97 - 8 -tm	137 502 01	94 x 65 x 81
PC 99 - 6	120 903 01	PC 99 - 6 -m	127 403 01	PC 99 - 6 -t	130 003 01	PC 99 - 6 -tm	137 003 01	94 x 94 x 57
PC 99 - 8	120 404 01	PC 99 - 8 -m	127 903 01	PC 99 - 8 -t	130 503 01	PC 99 - 8 -tm	137 503 01	94 x 94 x 81
PC 1111 - 7	120 404 01	PC 1111 - 7 -m	127 404 01	PC 1111 - 7 -t	130 004 01	PC 1111 - 7 -tm	137 004 01	110 x 110 x 66
PC 1111 - 9	120 904 01	PC 1111 - 9 -m	127 904 01	PC 1111 - 9 -t	130 504 01	PC 1111 - 9 -tm	137 504 01	110 x 110 x 90
PC 1309 - 6	120 409 01	PC 1309 - 6 -m	127 409 01	PC 1309 - 6 -t	130 009 01	PC 1309 - 6 -tm	137 009 01	130 x 94 x 57
PC 1309 - 8	120 909 01	PC 1309 - 8 -m	127 909 01	PC 1309 - 8 -t	130 509 01	PC 1309 - 8 -tm	137 509 01	130 x 94 x 81
PC 1313 - 7	120 405 01	PC 1313 - 7 -m	127 405 01	PC 1313 - 7 -t	130 005 01	PC 1313 - 7 -tm	137 005 01	130 x 130 x 75
PC 1313 -10	120 905 01	PC 1313 -10 -m	127 905 01	PC 1313 -10 -t	130 505 01	PC 1313 -10 -tm	137 505 01	130 x 130 x 99
PC 1809 - 6	120 410 01	PC 1809 - 6 -m	127 410 01	PC 1809 - 6 -t	130 010 01	PC 1809 - 6 -tm	137 010 01	180 x 94 x 57
PC 1809 - 8	120 910 01	PC 1809 - 8 -m	127 910 01	PC 1809 - 8 -t	130 510 01	PC 1809 - 8 -tm	135 510 01	180 x 94 x 81
PC 1811 - 9	120 406 01	PC 1811 - 9 -m	127 406 01	PC 1811 - 9 -t	130 006 01	PC 1811 - 9 -tm	137 006 01	180 x 110 x 90
PC 1811 -11	120 906 01	PC 1811 -11 -m	127 906 01	PC 1811 -11 -t	130 506 01	PC 1811 -11 -tm	137 506 01	180 x 110 x 111
PC 1811 -16	121 406 01	PC 1811 -16 -m	128 406 01	PC 1811 -16 -t	131 006 01	PC 1811 -16 -tm	138 006 01	180 x 110 x 165
PC 1811 -6f -o	120 414 01	PC 1811 -6f -o	127 414 01	PC 1811 -6f -to	130 014 01	PC 1811 -6f -tm	137 014 01	180 x 110 x 63
PC 1811 -8f -o	120 914 01	PC 1811 -8f -o	127 914 01	PC 1811 -8f -to	130 514 01	PC 1811 -8f -tm	137 514 01	180 x 110 x 84
PC 1818 -13f -o	120 414 01	PC 1811 -13f -o	128 414 01	PC 1811 -13f -to	131 014 01	PC 1811 -13f -tm	138 014 01	180 x 110 x 137
PC 1818 - 9	120 407 01	PC 1811 - 9 -m	127 407 01	PC 1818 - 9 -t	130 007 01	PC 1818 - 9 -tm	137 007 01	182 x 180 x 90
PC 1818 -11	120 907 01	PC 1818 -11 -m	127 907 01	PC 1818 -11 -t	130 507 01	PC 1818 -11 -tm	137 507 01	182 x 180 x 111
PC 1818 -16	121 407 01	PC 1818 -16 -m	128 407 01	PC 1818 -16 -t	131 007 01	PC 1818 -16 -tm	138 007 01	182 x 180 x 165
PC 1818 -6f -o	120 413 01	PC 1818 -6f -m	127 413 01	PC 1818 -6f -to	130 413 01	PC 1818 -6f -tm	137 013 01	182 x 180 x 63
PC 1818 -8f -o	120 913 01	PC 1818 -8f -m	127 913 01	PC 1818 -8f -to	130 913 01	PC 1818 -8f -tm	137 513 01	182 x 180 x 84
PC 1818 -13f -o	121 413 01	PC 1818 -13f -m	128 413 01	PC 1818 -13f -to	131 413 01	PC 1818 -13f -tm	138 013 01	182 x 180 x 137
PC 2518 - 9	120 408 01	PC 2518 - 9 -m	127 408 01	PC 2518 - 9 -t	130 008 01	PC 2518 - 9 -tm	137 008 01	254 x 180 x 90
PC 2518 -11	120 908 01	PC 2518 -11 -m	127 908 01	PC 2518 -11 -t	130 508 01	PC 2518 -11 -tm	137 508 01	254 x 180 x 111
PC 2518 -16	121 408 01	PC 2518 -16 -m	128 408 01	PC 2518 -16 -t	131 008 01	PC 2518 -16 -tm	138 008 01	254 x 180 x 165
PC 2518 -6	120 411 01	PC 2518 -6f -m	127 411 01	PC 2518 -6 -t	130 011 01	PC 2518 -6f -tm	137 011 01	254 x 180 x 63
PC 2518 -8	120 911 01	PC 2518 -8f -m	127 911 01	PC 2518 -8 -t	130 511 01	PC 2518 -8f -tm	137 511 01	254 x 180 x 84
PC 2518 -13	121 411 01	PC 2518 -13f -m	128 411 01	PC 2518 -13 -t	131 011 01	PC 2518 -13f -tm	138 011 01	254 x 180 x 137
PC 3625 -11	120 412 01	PC 3625 -11 -m	127 412 01	PC 3625 -11 -t	130 012 01	PC 3625 -11 -tm	137 012 01	360 x 254 x 111
PC 3625 -16	120 912 01	PC 3625 -16 -m	127 912 01	PC 3625 -16 -t	130 512 01	PC 3625 -16 -tm	137 512 01	360 x 254 x 165

TK Drawings

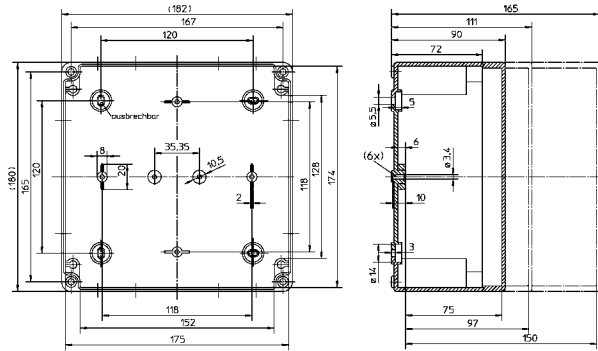
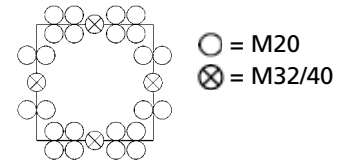
Note: Pdf files can be downloaded from web site.

TK 1811 f Shallow

New!

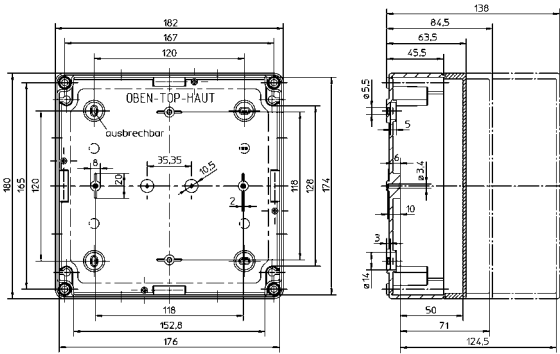
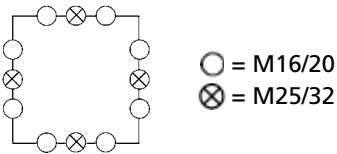


TK 1818

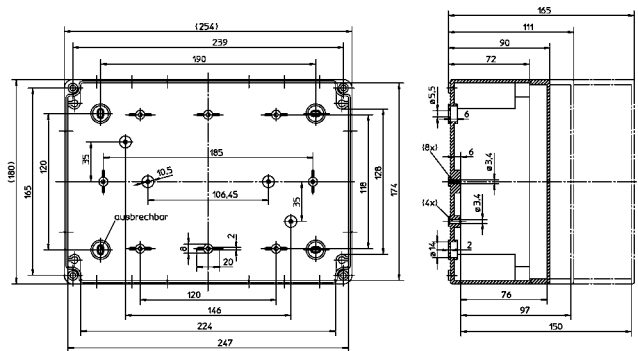
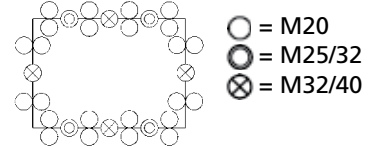


TK 1818-f

New!

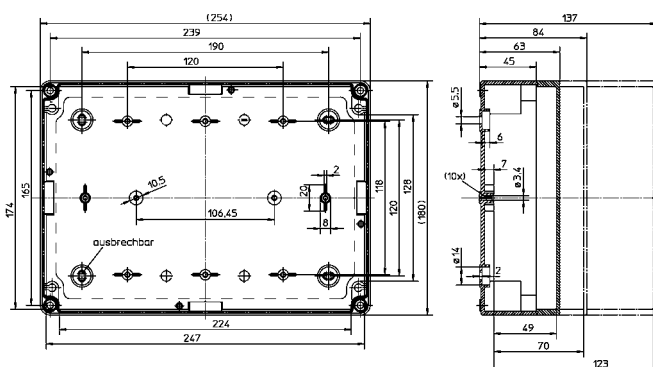
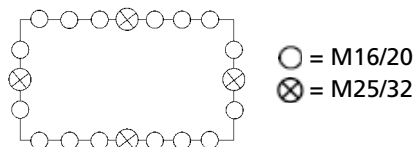


TK 2518

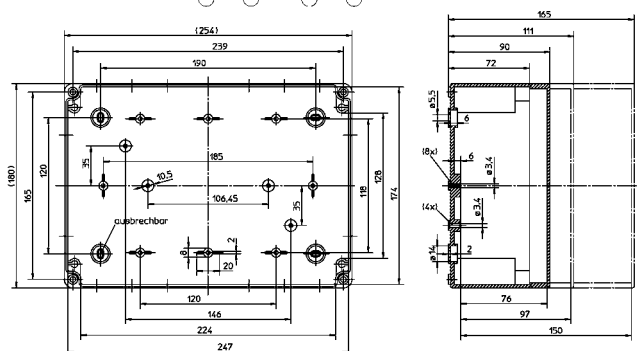
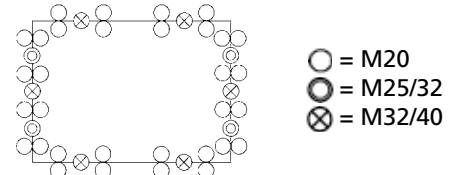


TK 2518-f

New!

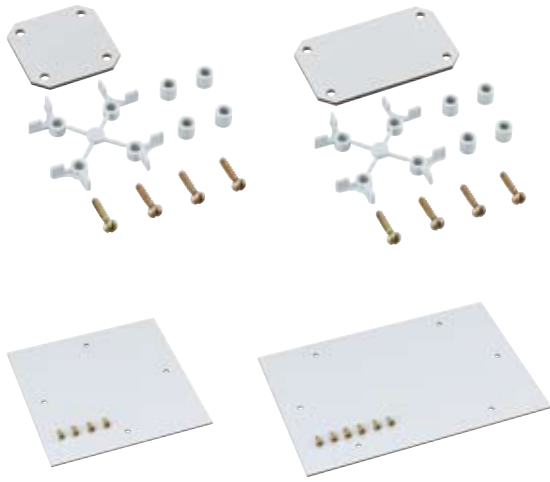


TK 3625



Accessories

Mounting Plate



Description		Cat No.	Packing Qty
Mounting plate, plastic 2.5 mm thick with self-cutting fixing screws and spacers			
for Housing	Dimensions		
TK77	45 x 45 mm	195 001 01	1
TK97	74 x 45 mm	195 002 01	1
TK99	74 x 74 mm	195 003 01	1
TK1111	90 x 90 mm	195 004 01	1
TK1309	110 x 74 mm	195 009 01	1
TK1313	110 x 110 mm	195 005 01	1
TK1809	160 x 74 mm	195 010 01	1
TK1811	150 x 90 mm	195 006 01	1
TK1818	150 x 150 mm	195 007 01	1
TK2518	220 x 150 mm	195 008 01	1
TK3625	331 x 220 mm	195 012 01	1
TK Spacers Set		194 100 01	100/1

Mounting rail TS 15



Mounting rail TS 15 to DIN EN 50 045-15 x 5 including fixing screws, for terminal blocks			
for Housing	Length		
TK77/97	TS 15/ 49,5 mm	197 049 01	1
TK97/99	TS 15/ 80 mm	197 080 01	1
TK1111	TS 15/ 92 mm	197 092 01	1
TK1309/1313	TS 15/ 111 mm	197 111 01	1
TK1809	TS 15/ 154 mm	197 154 01	1

Mounting rail NS 35



Mounting rail NS 35 to DIN EN 60715-35 x 7.5 including fixing screws, for terminal blocks and of devices			
for Housing	Length		
TK1111	NS 35/ 81 mm	198 081 01	1
TK1309/1313	NS 35/ 106 mm	198 106 01	1
TK1809/11/18	NS 35/ 144 mm	198 144 01	1
TK2518	NS 35/ 216 mm	198 216 01	1
TK3625	NS 35/ 336 mm	198 336 01	1

TK Hinge set



for Housing	Size		
up to TK 1809	small	190 002 01	1
from TK 1811	large	190 005 01	1

Security



Lid Screws offer additional security Screwdriver for security screws

Lid Screws

Long Grey	190 016 01	1-4
Short Grey	190 014 01	1-4
Long Black	190 017 01	1-4
Short Black	190 015 01	1-4

Screwdriver

195 018 01	1-4
------------	-----

External Fixing Feet



TK Series	194 001 01	100/1
-----------	------------	-------