



WWW.CABLEJOINTS.CO.UK  
THORNE & DERRICK UK  
TEL 0044 191 490 1547 FAX 0044 477 5371  
TEL 0044 117 977 4647 FAX 0044 977 5582  
WWW.THORNEANDDERRICK.CO.UK

# Euromold

a Nexans company



Medium voltage separable  
connectors and bushings  
- Interface E -

Catalogue 2006



### EUROMOLD

Euromold is the leading European specialised designer, manufacturer and distributor of prefabricated cable accessories for medium voltage energy distribution. Euromold provides a complete range of accessories for underground cables: pre-moulded EPDM or silicone rubber connectors, terminations and joints for cables and epoxy bushings for transformers and switch gear, as well as a large range of cold-shrinkable terminations and joints from 12 to 42 kV.

Euromold is also the manufacturer of electrical components for the high voltage accessories of the Nexans group.

### ISO 9001 Certificate

Since 1992, Euromold's commitment to quality is demonstrated by its ISO 9001 certification.

### International standards

All our products meet the International standards like CENELEC HD 629.1, CENELEC EN 50180, IEC 137, IEEE 386 & 404... or country specifications. Official certificates, CESI, KEMA, ATEX... prove the conformity of our products. Long duration tests of existing or new products are continuously performed in our test fields.

### Laboratory accreditation

Since June 2000, Euromold's independent ELAB laboratory obtained the BELTEST accreditation no.192-T-ISO 17025 conform with the European standards for laboratories ISO 17025 for electrical testing of medium voltage cable accessories according to the International standards IEC 61442 and HD 629.

While every care is taken to ensure that the information contained in this publication is correct, no legal responsibility can be accepted for any inaccuracy. EUROMOLD NV reserves the right to alter or modify the characteristics of its products described in this catalogue as standards and technology evolve.

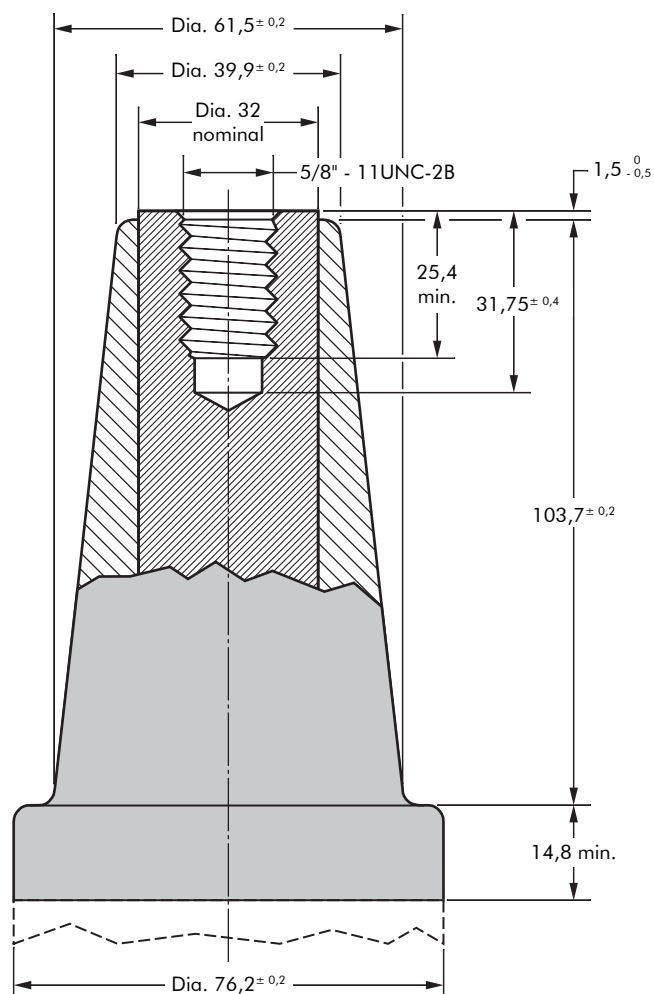
## SEPARABLE CONNECTORS AND BUSHINGS INTERFACE E - 5/8"

### Table of contents

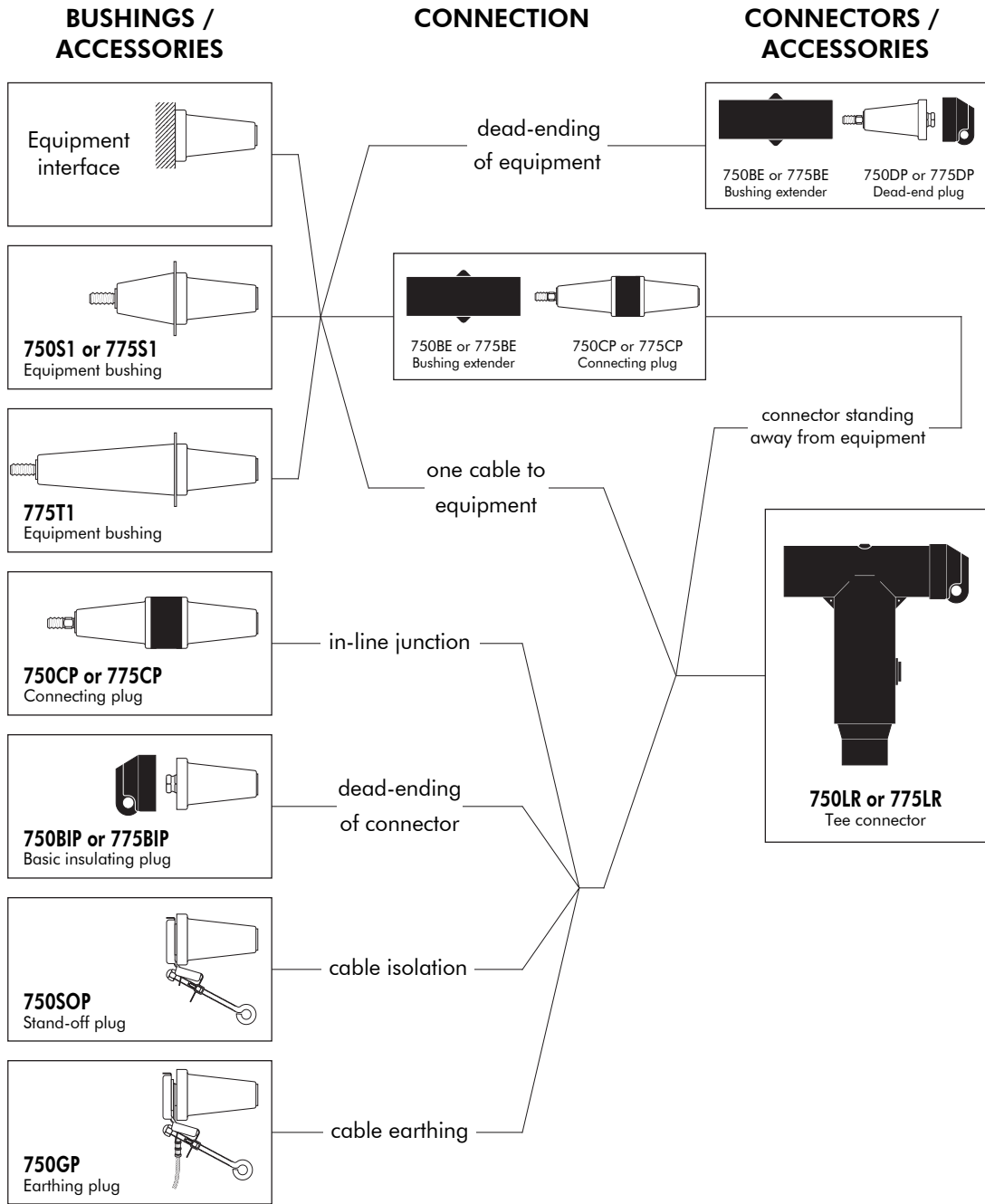
- 750LR & 775LR - tee connector
- 750S1, 775S1 & 775T1 - equipment bushing
- Accessories
- Possible arrangements
- Fixings for equipment bushings

### INTERFACE E - 5/8"

Dimensions according to ANSI/  
IEEE std. 386 (in mm, except  
where noted).



# Connecting possibilities



## 750LR & 775LR INTERFACE E - 5/8" TEE CONNECTOR

### Application

Separable tee connector (bolted 5/8" type) designed to connect polymeric insulated cable to equipment (transformers, switch gear, motors...).

Also connects cable to cable, using the appropriate mating part.

### Technical characteristics

- A thick conductive EPDM jacket provides a total safe to touch screen.
- Each separable connector is tested for AC withstand and partial discharge prior to leaving the factory.

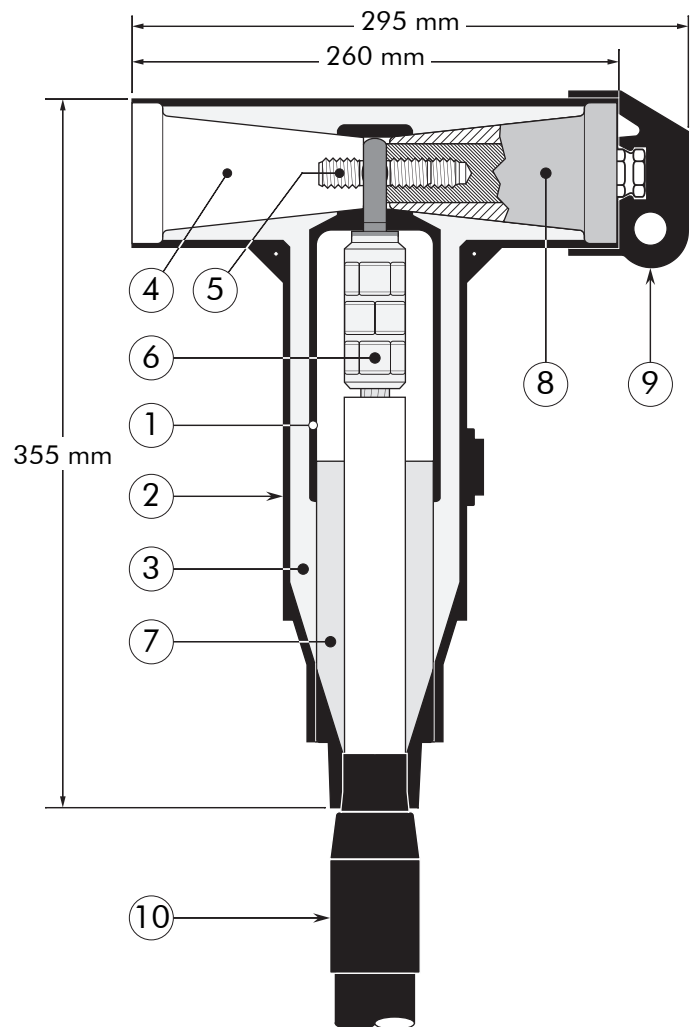
**Up to 36 kV  
800 A & 1250 A**

6/10 (12) kV  
6.35/11 (12) kV  
8.7/15 (17.5) kV  
12/20 (24) kV  
12.7/22 (24) kV  
18/30 (36) kV

### Design

Separable connector comprising:

1. Conductive EPDM insert.
2. Conductive EPDM jacket.
3. Insulating EPDM layer moulded between the insert and the jacket.
4. Type E interface as described in ANSI/IEEE std. 386.
5. Threaded stud 5/8".
6. Conductor connector.
7. Cable reducer.
8. Dead end plug (with VD point).
9. Conductive rubber cap.
10. Cable adaptor.



### Specifications and standards

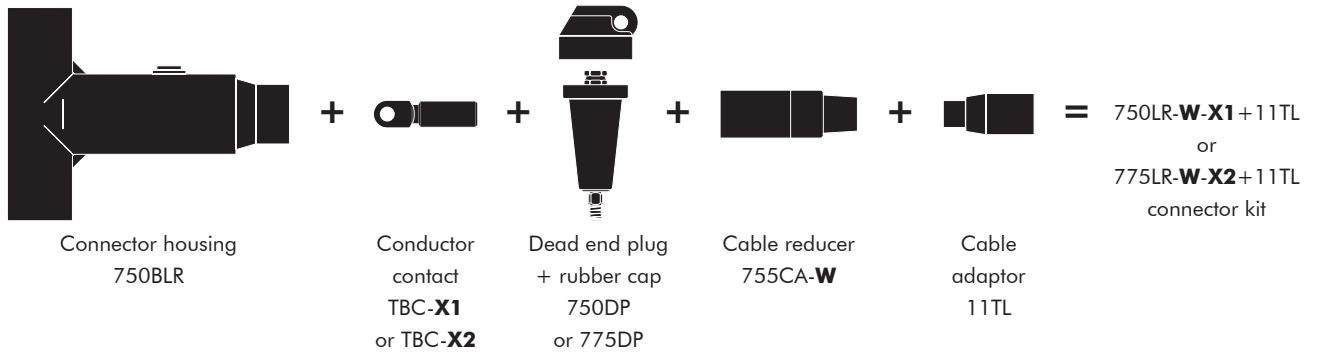
The separable connectors 750LR and 775LR meet the requirements of CENELEC HD 629.1.

Separable connector type	Voltage $U_m$ (kV)	Current $I_r$ (A)	Conductor sizes (mm <sup>2</sup> )	
			min.	max.
750LR	36	800	35	630
775LR	36	1250	35	630

## Kit contents

The complete 750LR or 775LR tee connector kit comprises the following components:

The kit also comprises lubricant, wipers, installation instructions and crimp chart.



## Ordering instructions

Select the part number which gives the best centring to the cable core insulation diameter.

### Example:

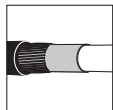
The copper wire screened cable is 36 kV, 300 mm<sup>2</sup> stranded aluminium with a diameter over core insulation of 38.8 mm. Order a 750LR-M-300KM-10-2+11TL tee connector kit for 800 A application.

Table W

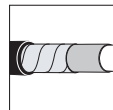
Ordering part number - 800 A	Ordering part number - 1250 A	Dia. over core insulation (mm)	
		min.	max.
750LR-G-X1+11TL	775LR-G-X2+11TL	19.3	24.1
750LR-H-X1+11TL	775LR-H-X2+11TL	21.6	26.7
750LR-J-X1+11TL	775LR-J-X2+11TL	24.9	30.0
750LR-K-X1+11TL	775LR-K-X2+11TL	27.7	33.3
750LR-L-X1+11TL	775LR-L-X2+11TL	30.0	37.2
750LR-M-X1+11TL	775LR-M-X2+11TL	34.8	41.1
750LR-N-X1+11TL	775LR-N-X2+11TL	38.5	45.2
750LR-P-X1+11TL	775LR-P-X2+11TL	43.8	49.1
750LR-Q-X1+11TL	775LR-Q-X2+11TL	48.3	53.9

Table X

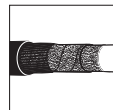
Conductor sizes (mm <sup>2</sup> )	Table X1: 800 A			Table X2: 1250 A		
	Aluminium conductor		Copper conductor	Aluminium conductor		Copper conductor
	DIN hexagonal	Deep indent	DIN hexagonal	DIN hexagonal	Deep indent	DIN hexagonal
35	35(K)M-10-2	35KM-10-1	35(K)M-14	35(K)M-12-2	35KM-12-1	35(K)M-11-2
50	50(K)M-10-2	50(K)M-10-1	50(K)M-14	50(K)M-12-2	50(K)M-12-1	50(K)M-11-2
70	70(K)M-10-2	70(K)M-10-1	70(K)M-14	70(K)M-12-2	70(K)M-12-1	70(K)M-11-2
95	95(K)M-10-2	95(K)M-10-1	95(K)M-14	95(K)M-12-2	95(K)M-12-1	95(K)M-11-2
120	120(K)M-10-2	120(K)M-10-1	120(K)M-14	120(K)M-12-2	120(K)M-12-1	120(K)M-11-2
150	150(K)M-10-2	150(K)M-10-1	150(K)M-14	150(K)M-12-2	150(K)M-12-1	150(K)M-11-2
185	185(K)M-10-2	185(K)M-10-1	185(K)M-14	185(K)M-12-2	185(K)M-12-1	185(K)M-11-2
240	240(K)M-10-2	240(K)M-10-1	240(K)M-14	240(K)M-12-2	240(K)M-12-1	240(K)M-11-2
300	300(K)M-10-2	300(K)M-10-1	300(K)M-14	300(K)M-12-2	300(K)M-12-1	300(K)M-11-2
400	400(K)M-10-2	400(K)M-10-1	400(K)M-14	400(K)M-12-2	400(K)M-12-1	400(K)M-11-2
500	500(K)M-10-2	500(K)M-10-1	500(K)M-14	500(K)M-12-2	500(K)M-12-1	500(K)M-11-2
630	630(K)M-10-2	630(K)M-10-1	630(K)M-14	630(K)M-12-2	630(K)M-12-1	630(K)M-11-2



For use with copper wire screened cables. No earthing device is necessary.



For use with copper tape screened cables. Order: Kit MT.



For use with fabric tape (graphite) screened cables. Order additional semi-conductive tape (type TSC).



For use with other cable types. Please contact our representative.



For outdoor applications. Order: +MWS.



Components can be ordered individually.

## 750S1, 775S1 & 775T1 INTERFACE E - 5/8" EQUIPMENT BUSHING

### Application

For use in equipment insulated with oil fluid, typically for transformers, switch gear, capacitors...

### Technical characteristics

Each bushing is tested for AC withstand and partial discharge prior to leaving the factory.

**Up to 36 kV  
800 A & 1250 A**

6/10 (12) kV  
6.35/11 (12) kV  
8.7/15 (17.5) kV  
12/20 (24) kV  
12.7/22 (24) kV  
18/30 (36) kV

### Design

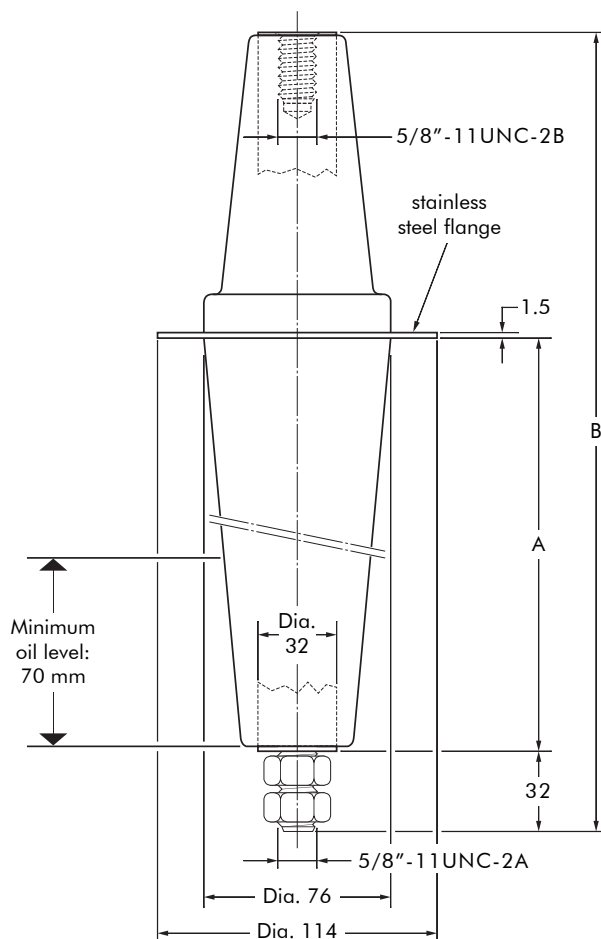
The equipment bushing is a moulded epoxy insulated part in accordance with ANSI/IEEE 386 std. (5/8" threading system).

### Specifications and standards

The bolted type equipment bushings 750S1, 775S1 and 775T1 meet the requirements of IEC 137.

### Ordering instructions

To order the equipment bushing, specify the type.



In mm, except where noted.

Equipment bushing type	Voltage $U_r$ (kV)	Current $I_r$ (A)	Dimensions (mm)	
			A	B
750S1	36	800	75	235
775S1	36	1250	75	235
775T1	36	1250	221	378

## ACCESSORIES INTERFACE E - 5/8"

### Application

For use with connectors and bushings with an INTERFACE E - 5/8" as described in ANSI/IEEE std. 386.

### Technical characteristics

All these products, except the earthing plug, are tested for AC withstand and partial discharge prior to leaving the factory.

Up to 36 kV

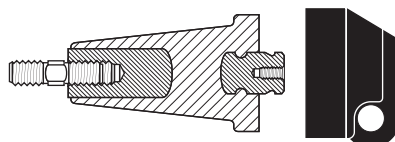
6/10 (12) kV  
6.35/11 (12) kV  
8.7/15 (17.5) kV  
12/20 (24) kV  
12.7/22 (24) kV  
18/30 (36) kV

### 750DP & 775DP Dead-end plug

Acts as a tightening nut for the 750LR and 775LR tee connector kits.

The plug contains a voltage detection point.

The threaded stud and conductive rubber protecting cap is included.



### Ordering instructions

Order  
750DP for 800 A or  
775DP for 1250 A  
applications.

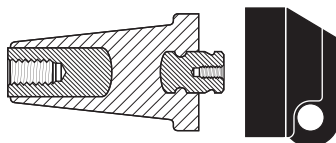
### 750BIP & 775BIP Basic insulating plug

Acts as a tightening nut for the 750LR and 775LR tee connector kits.

The plug contains a voltage detection point.

The conductive rubber protecting cap is included.

The 750BIP and 775BIP are supplied without threaded stud.

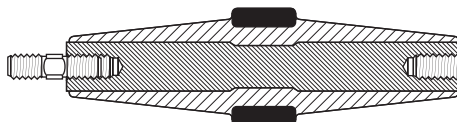


### Ordering instructions

Order  
750BIP for 800 A or  
775BIP for 1250 A  
applications.

### 750CP & 775CP Connecting plug

For connecting two or more connectors with a type E - 5/8" interface together, thus creating a separable cable joint or a multiple cable connection to equipment.

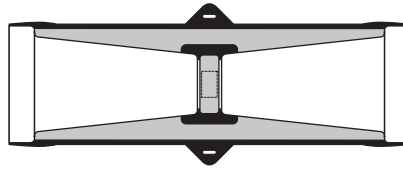


### Ordering instructions

Order  
750CP for 800 A or  
775CP for 1250 A  
applications.

### 750BE & 775BE Bushing extender

Provides an extension piece to allow cables to stand away from equipment.  
Is used in conjunction with the connecting plug (750CP or 775CP).

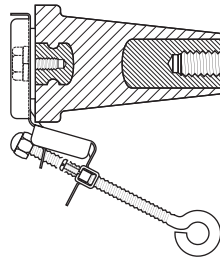


### Ordering instructions

Order  
750BE for 800 A or  
775BE for 1250 A  
applications.

### 750SOP Stand-off plug

Is designed to support and 'dead-end' connectors with a type E - 5/8" interface when removed from equipment.

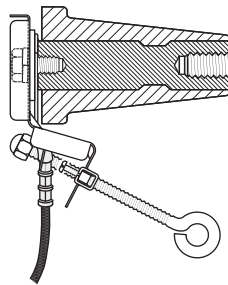


### Ordering instructions

Order  
750SOP for 800 A and 1250 A  
applications.

### 750GP Earthing plug

Is designed to support and earth connectors with a type E - 5/8" interface when removed from equipment.

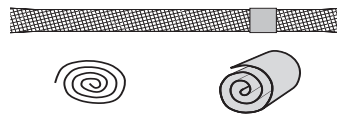


### Ordering instructions

Order  
750GP for 800 A and 1250 A  
applications.

### Kit MT Earthing kit for copper tape screened cables

Contains a tinned copper braid (25 mm<sup>2</sup> - L = 500 mm), a tinned copper wire for cleating and water sealing mastic.



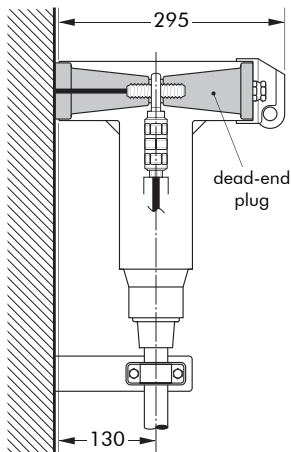
### Ordering instructions

Order  
Kit MT for 800 A and 1250 A  
applications.

## POSSIBLE ARRANGEMENTS INTERFACE E - 5/8"

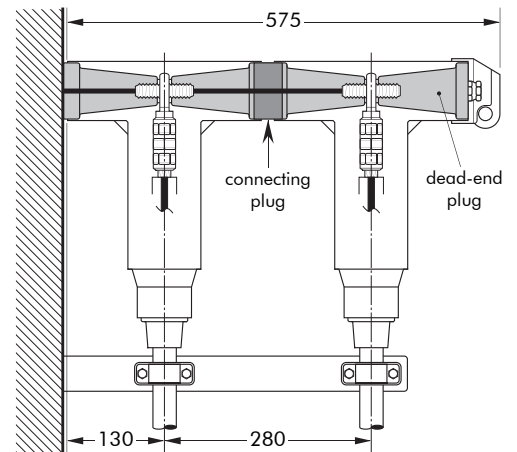
### I 750LR or 775LR

Single cable arrangement.  
Order 750LR or 775LR  
for 12 kV, 24 kV or 36 kV  
applications.



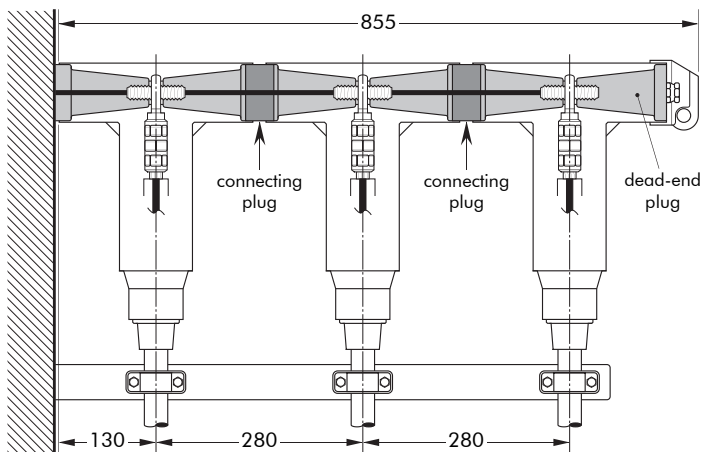
### I 750LR-P2 or 775LR-P2

Dual cable arrangement.  
Order 750LR-P2 or 775LR-P2  
for 12 kV, 24 kV or 36 kV  
applications.



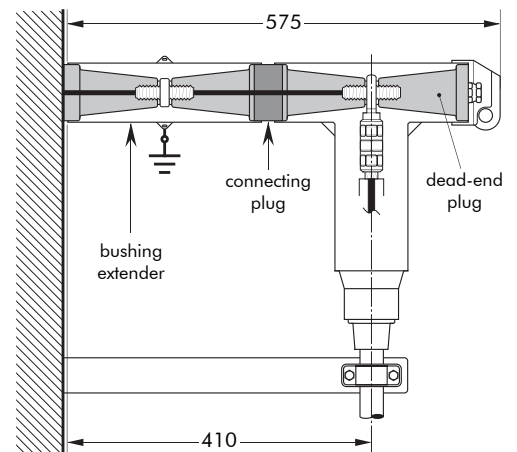
### I 750LR-P3 or 775LR-P3

Triple cable arrangement.  
Order 750LR-P3 or 775LR-P3  
for 12 kV, 24 kV or 36 kV  
applications.



### I 750LR-P6 or 775LR-P6

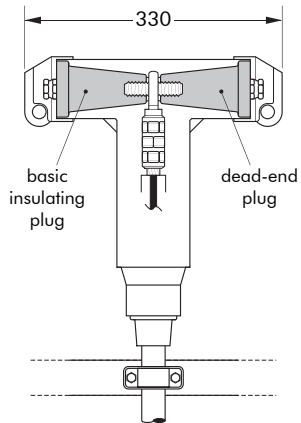
Connector standing away from  
equipment.  
Order 750LR-P6 or 775LR-P6  
for 12 kV, 24 kV or 36 kV  
applications.



### 750LR-L1 or 775LR-L1

Dead-ending.

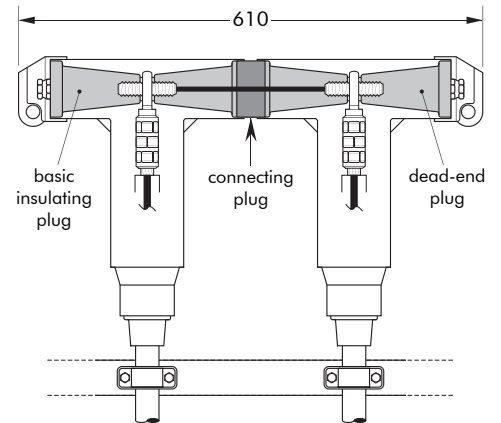
Order 750LR-L1 or 775LR-L1 for 12 kV, 24 kV or 36 kV applications.



### 750LR-L2 or 775LR-L2

2-way connection.

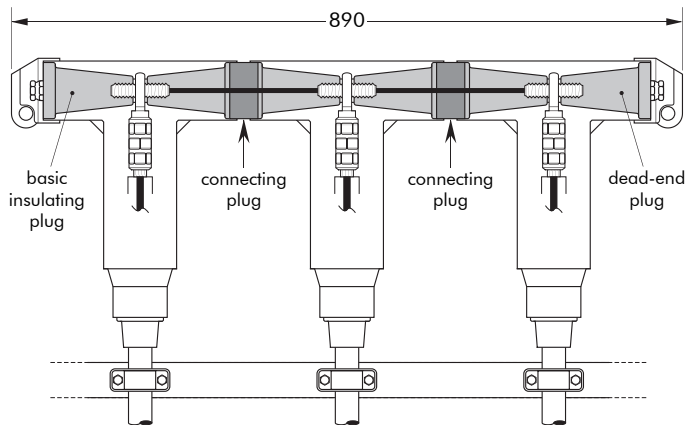
Order 750LR-L2 or 775LR-L2 for 12 kV, 24 kV or 36 kV applications.



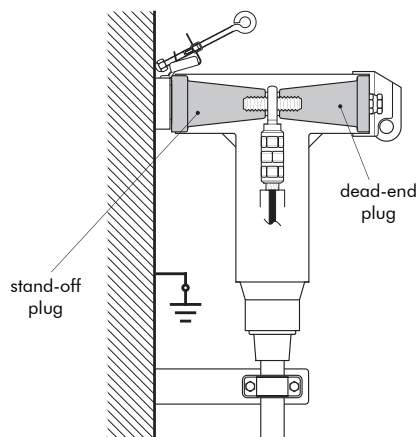
### 750LR-L3 or 775LR-L3

3-way connection.

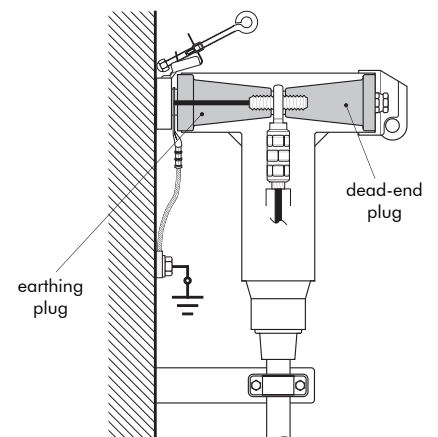
Order 750LR-L3 or 775LR-L3 for 12 kV, 24 kV or 36 kV applications.



### Connector on stand-off plug.

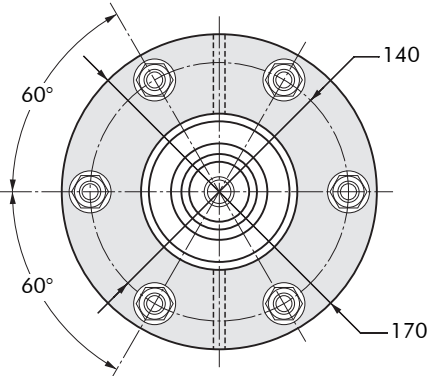
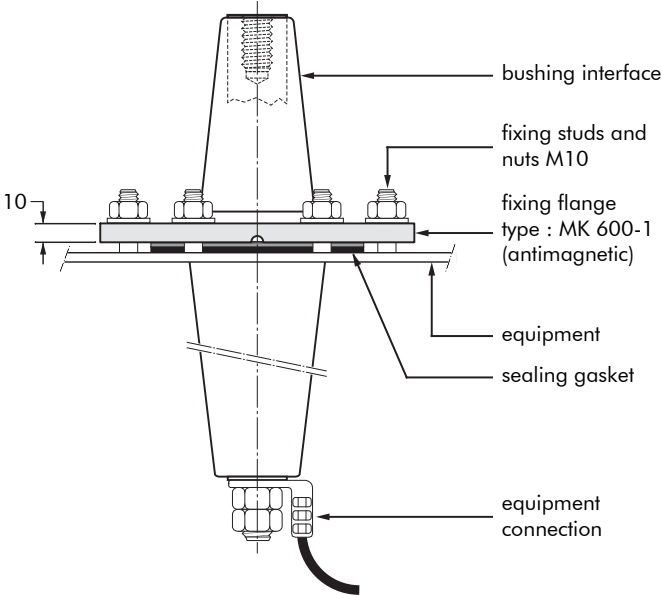


### Connector on earthing plug.



## FIXINGS FOR EQUIPMENT BUSHINGS INTERFACE E - 5/8"

| 750S1, 775S1 and 775T1  
bushings





[WWW.CABLEJOINTS.CO.UK](http://WWW.CABLEJOINTS.CO.UK)  
**THORNE & DERRICK UK**  
TEL 0044 191 490 1547 FAX 0044 477 5371  
TEL 0044 117 977 4647 FAX 0044 977 5582  
[WWW.THORNEANDDERRICK.CO.UK](http://WWW.THORNEANDDERRICK.CO.UK)

**Euromold**  
a Nexans company