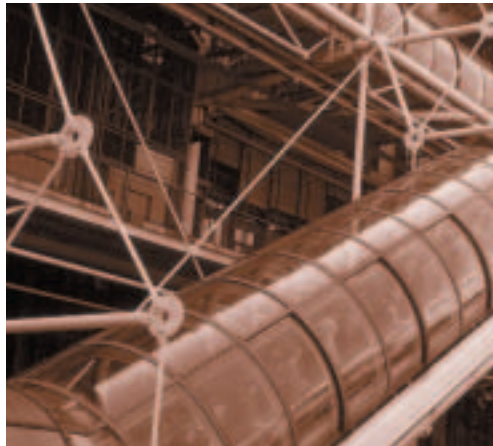
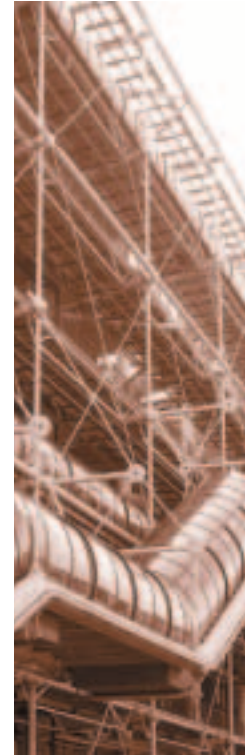
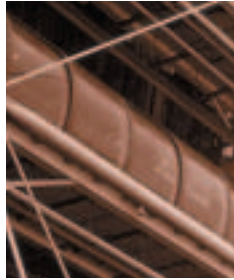




WWW.CABLEJOINTS.CO.UK
THORNE & DERRICK UK
TEL 0044 191 490 1547 FAX 0044 477 5371
TEL 0044 117 977 4647 FAX 0044 977 5582
WWW.THORNEANDDERRICK.CO.UK

Merlin Gerin

MGF range of Switch disconnectors and Fuse switch disconnectors



MGF range of Merlin Gerin **fusegear**

for Commercial and Industrial applications

MGF fusegear is a range of new wall mounting equipment rated from 20A to 630A, single pole and three pole, designed to meet the requirements of industrial and commercial installations.



The range

- Switch disconnecter fuse** 20A to 100A SP&SwN, TP&N
- Switch disconnectors** 20A to 100A SP&SwN, TP&N
- Fuse switch disconnectors** 100A to 630A TP&N

The features

- Units fully tested and constructed to BS EN 60947-3
- Fully rated to switch motor circuits and other highly inductive loads (AC23)
- Heavy duty padlockable handles, fully interlocked
- Supplied complete with BS88 HRC fuse links
- Removable gland plates and lift off doors to ease cabling access
- Epoxy powder painted in Merlin Gerin beige to match other products in the Merlin Gerin range, including Isobar 4 distribution boards and Powerpact 4 panelboards

Switch disconnecter fuse

Switch disconnecter

Features

- Rated for 240/415V 50/60Hz
- Ratings 20A, 32A, 63A, 100A, SP&SwN, TP&N
- Utilisation category AC20A, AC21A, AC22A, AC23B at rated current
- Degree of protection IP41
- Handle position provides positive contact indication
- Door handle prevents door being opened when switch is ON or padlocked
- Handle padlockable in ON and OFF positions

Construction

- Live terminals fully shrouded
- Door interlock has integral defeat mechanism allowing door to be opened without switching OFF. This feature is not operable when the handle is padlocked
- Removable gland plates with cable knockouts
- Lift off door provides greater access for installation and cabling
- Door opens within the width of the unit allowing units to be mounted adjacent
- Neutral has disconnectable link and capacity for 3 outgoing cables
- Keyhole slots in the enclosure base allow easy installation
- Earthing kit provided as standard
- Easy access to fuse links

Technical information

- Standard BS EN 60947-3
- Rated operational voltage 415V 50/60Hz

References and prices

Rating A	Switch disconnecter fuse		Switch disconnectors	
	reference	list price £	reference	list price £
Single pole and switched neutral				
20	MGFA0201	59.71	MGFL0201	51.41
32	MGFA0321	74.96	MGFL0321	62.91
63	MGFA0631	117.71	MGFL0631	91.65
100	MGFA1001	188.13	MGFL1001	143.54
Three pole and neutral				
20	MGFA0203	78.14	MGFL0203	56.26
32	MGFA0323	103.78	MGFL0323	69.52
63	MGFA0633	174.37	MGFL0633	113.24
100	MGFA1003	301.99	MGFL1003	176.30

Fuse link data

Rating A	BS88	Bussman
	reference	reference
20	A1, A2	NITD20
32	A1, A2	AA032
63	A2, A3	BA063
100	A2, A3, A4	CEO100



MGFA, MGFL

Rating	20A	32A	63A	100A
Rated current at 40°C, A	20	32	63	100
Rated impulse voltage	6kV	6kV	6kV	6kV
Rated short time withstand Icw, A	416	416	756	1300
Rated short circuit making capacity Icm	1.35kA	1.35kA	1.35kA	3.5kA
Rated short circuit breaking capacity Icn	50kA	50kA	50kA	50kA
Utilisation category at rated current	AC-20A/ 21A/ 22A/ 23B			
Kilowatt rating	11kW	15kW	30kW	55kW
Cable size, maximum mm ²	10mm ²	10mm ²	25mm ²	50mm ²

Fuse switch disconnecter

Features

- Rated for 240/415V 50/60Hz
- Ratings 100A, 160A, 200A, 250A, 315A, 400A, 500A, 630A TP&N
- Utilisation category AC20A, AC21A, AC22A, AC23B at rated current. AC23A for ratings up to 160A
- Handle position provides positive contact indication
- Door handle prevents door being opened when switch is ON or padlocked
- Handle padlockable in ON and OFF positions
- Device may be fed to either top or bottom terminals

Construction

- All terminals are fully shrouded
- Quick make and break silver plated contacts
- Door interlock has defeat mechanism allowing switch to be closed with door open
- Removable plain gland plates are fitted at top and bottom
- Cabling space may be increased by the addition of the cable boxes
- Lift off door provides greater access for installation and cabling
- Door opens within the width of the unit allowing units to be mounted adjacent
- Neutral is fitted with disconnectable link
- Earthing kit provided as standard
- Easy access to fuse links
- Removable cross rails allow cables to be laid in easily
- Direct front access to terminals without dismantling the mechanism
- Clear shrouds allow easy access for inspection and visual indication of contact position

Technical information

- Standard BS EN 60947-3
- Rated operational voltage 415V 50/60Hz

References and prices

Rating A	Fuse switch disconnectors		Cable box	
	reference	list price £	reference	list price £
Three pole and neutral				
100	MGFS1003	302.26	MGFX100	55.00
160	MGFS1603	459.75	MGFX160	89.74
200	MGFS2003	475.23	MGFX250	97.42
250	MGFS2503	564.75	MGFX250	97.42
315	MGFS3153	779.76	MGFX500	129.85
400	MGFS4003	906.36	MGFX500	129.85
500	MGFS5003	1729.26	MGFX500	129.85
630	MGFS6303	1771.49	MGFX630	135.00

Fuse link data

Rating A	BS88	Bussman
	reference	reference
100	B1	CD100
160	B2	DD160
200	B2	DD200
250	B3	ED250
315	C1	EFS315
400	C1	EF400
500	C2	FF500
630	C2	FF630

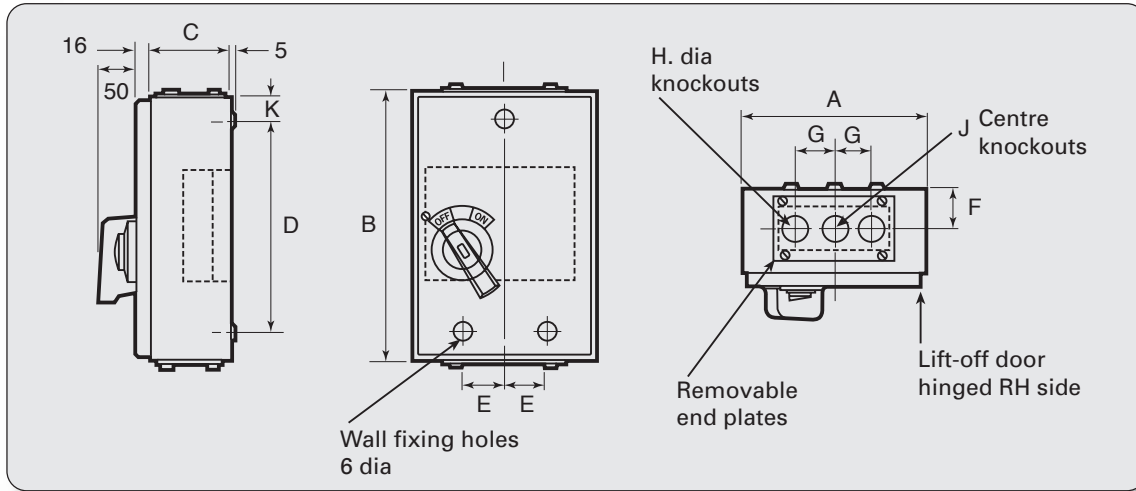


MGFS

Rating	100A	160A	200A	250A	315A	400A	500A	630A
Rated current at 40°C, A	100	160	200	250	315	400	500	630
Rated impulse voltage	8kV	8kV	8kV	8kV	8kV	8kV	8kV	8kV
Rated short time withstand I _{cw} , A	3.4kA	3.4kA	5.23kA	5.23kA	12kA	12kA	12kA	12kA
Rated short circuit making capacity I _{cm}	5kA	5kA	8kA	8kA	24kA	24kA	24kA	24kA
Rated short circuit breaking capacity I _{cn}	50kA	50kA	50kA	50kA	50kA	50kA	50kA	50kA
Utilisation category at rated current	AC-23A	AC-23A	AC-23B	AC-23B	AC-23B	AC-23B	AC-23B	AC-23B
Kilowatt rating	55kW	90kW	110kW	130kW	175kW	220kW	250kW	300kW
Terminal stud	M8	M8	M10	M10	M12	M12	M12	M12
Terminal lug, maximum palm width	20mm	20mm	30mm	30mm	50mm	50mm	50mm	50mm
Maximum cable size	50mm ²	50mm ²	120mm ²	120mm ²	400mm ²	400mm ²	400mm ²	400mm ²

Dimensions mm

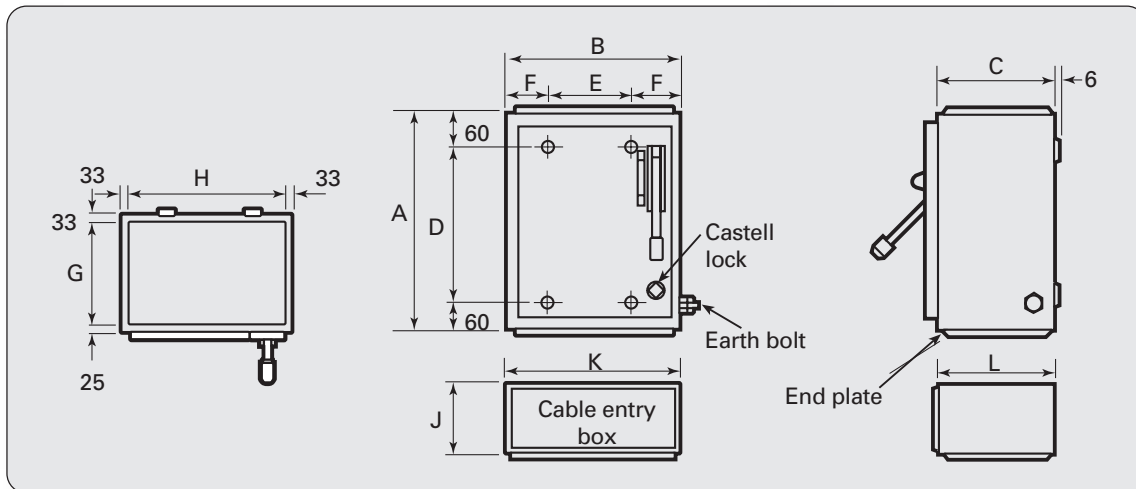
Switch disconnecter fuse Switch disconnecter



Rating	A	B	C	D	E	F	G	H	J	Weight Kg*
20A	210	240	105	160	50	51	44	20	25	4.10
32A	210	240	105	160	50	51	44	20	25	4.82
63A	235	350	105	270	55	51	50	32	32	5.34
100A	260	400	120	320	65	51	60	38	40	7.37

*Weights do not include the fuses

Fuse switch disconnecter



Rating	A	B	C	D	E	F	G	H	J	K	L	Weight Kg*
100A	380	292	200	260	130	81	142	226	100	292	220	15.6
160A	380	292	200	260	130	81	142	226	150	292	220	15.6
200/250A	380	340	200	260	180	80	142	274	180	340	220	19.5
400A	455	489	270	335	289	100	212	423	300	489	290	36.2
500A	455	489	270	335	289	100	212	423	300	489	290	36.2
630A	455	489	270	335	289	100	212	423	400	489	290	36.2

*Weights do not include the fuses



WWW.CABLEJOINTS.CO.UK
 THORNE & DERRICK UK
 TEL 0044 191 490 1547 FAX 0044 477 5371
 TEL 0044 117 977 4647 FAX 0044 977 5582
 WWW.THORNEANDDERRICK.CO.UK