

## 300PB-630A COUPLING CONNECTOR FOR 430TB-630A

**Up to 24 kV - 630 A**

### Application

Separable coupling connector (bolted type) for dual cable arrangement. It has been designed to be used with separable Tee connector 430TB-630A.

Total maximum current is 630 A.

### Technical characteristics

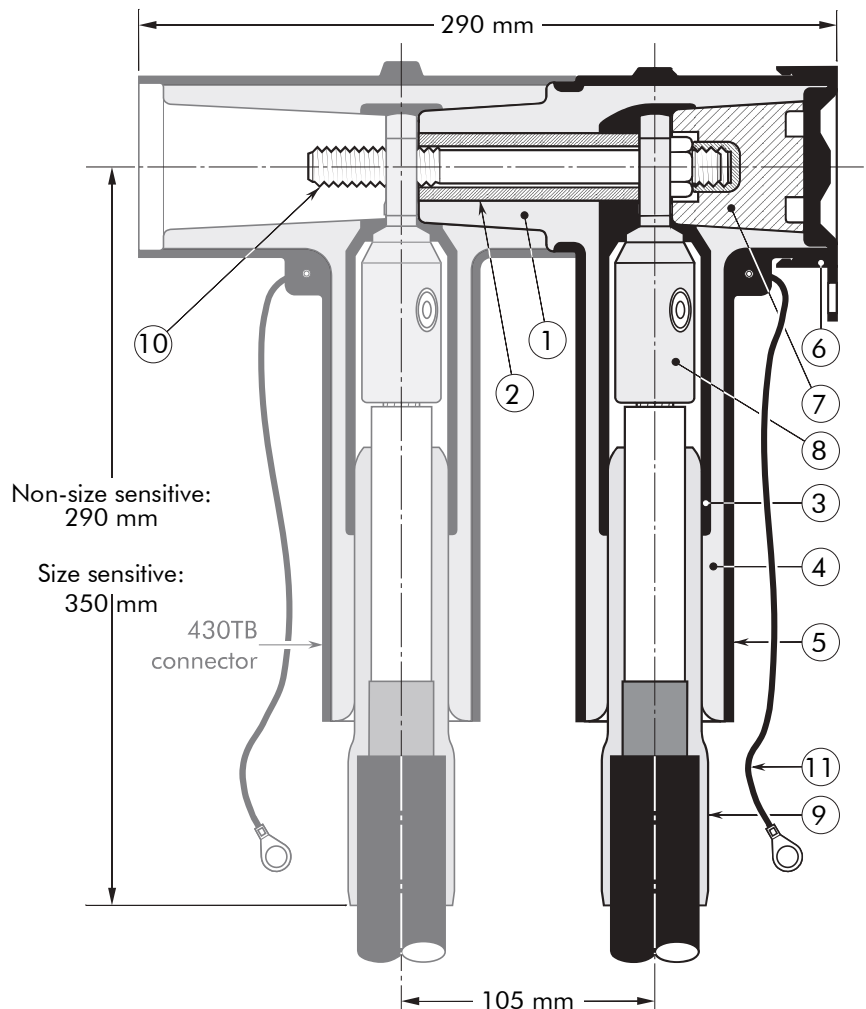
- A thick conductive EPDM jacket provides a total safe to touch screen.
- Each separable connector is tested for AC withstand and partial discharge prior to leaving the factory.

6/10 (12) kV  
6.35/11 (12) kV  
8.7/15 (17.5) kV  
12/20 (24) kV  
12.7/22 (24) kV

### Design

1. Interface designed to fit 430TB-630A connector.
2. Bus for 300PB.
3. Conductive EPDM insert.
4. Insulating EPDM layer moulded between the insert and the jacket.
5. Conductive EPDM jacket.
6. Conductive EPDM cap.
7. Basic insulating plug.
8. Conductor connector (hexagonal crimping, deep indent crimping or bolted).
9. Cable reducer.
10. Clamping screw.
11. Earth lead.

The screen break design enables cable outer sheath testing without removing or dismantling the connector.



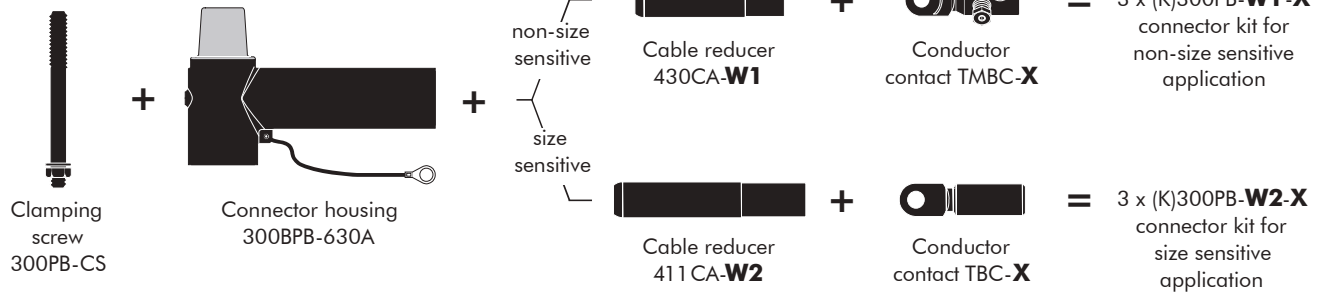
### Specifications and standards

The 300PB-630A coupling connector meets the requirements of CENELEC HD 629.1 for 10 and 20 kV levels.

Separable connector type	Voltage $U_m$ (kV)	Current $I_r$ (A)	Conductor size (mm <sup>2</sup> )	
			min.	max.
300PB-630A	12	630	35	300
K300PB-630A	24	630	35	300

## Kit contents

The complete (K)300PB-630A coupling connector kit comprises 3 x the following components:



The kit also comprises silicone grease, water sealing mastic, installation rod, installation instructions and crimp chart.

## Ordering instructions

To order the Tee connector, use the tables beside to substitute for **W1/W2** and **X** in the formulas.

- From table W1 or W2:** select the symbol which gives the best centring of your core insulation diameter.
- From table X:** according to your conductor size and type, select the designation which completes the part number.

### Example:

The cable is 24 kV, 150 mm<sup>2</sup> compact stranded copper with a diameter over core insulation of 27.5 mm.  
Order 3 x K300PB-18-95.240-14-5 for a non-size sensitive application or 3 x K300PB-22-150(K)M-11-2 for a size sensitive application.

Voltage Um (kV)	Non-size sensitive	Size sensitive
12	3 x 300PB-W1-X	3 x 300PB-W2-X
24	3 x K300PB-W1-X	3 x K300PB-W2-X

Table W1

Dia. over core insulation (mm)		W1
min.	max.	
19.0	32.6	18

Table W2

Dia. over core insulation (mm)		W2
min.	max.	
12.0	17.5	11
16.0	22.0	15
20.0	26.5	19
23.5	31.0	22
26.5	32.5	25
28.5	37.5	27

Table X

Conductor size (mm <sup>2</sup> )	Aluminium conductor			Copper conductor	
	DIN hexagonal	Deep indent	Bolted	DIN hexagonal	Bolted
35	35(K)M-10-2	35(K)M-10-1		35(K)M-11-2	
50	50(K)M-10-2	50(K)M-10-1	-	50(K)M-11-2	-
70	70(K)M-10-2	70(K)M-10-1		70(K)M-11-2	
95	95(K)M-10-2	95(K)M-10-1		95(K)M-11-2	
120	120(K)M-10-2	120(K)M-10-1		120(K)M-11-2	
150	150(K)M-10-2	150(K)M-10-1	95.240-14-5	150(K)M-11-2	95.240-14-5
185	185(K)M-10-2	185(K)M-10-1		185(K)M-11-2	
240	240(K)M-10-2	240(K)M-10-1		240(K)M-11-2	
300	300(K)M-10-2	-	-	300(K)M-11-2	-

For use with copper tape screened cables. Order: Kit MT.	For use with fabric tape (graphite) screened cables. Order additional semi-conductive tape (type TSC).	For use with easy strip semi-conductive screened cables. Order: Field control mastic (type MFC).	For use with copper wire screened cables. No earthing device is necessary.	For use with other cable types. Please contact our representative.	For outdoor applications. Order: +MWS.