

ACCESSORIES INTERFACE B

Application

For use with connectors and bushings with an interface B as described by CENELEC EN 50180 and 50181.

Technical characteristics

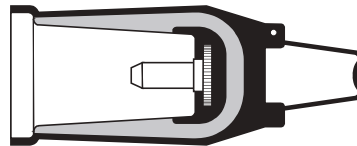
All these products, except the earthing plug, are tested for AC withstand and partial discharge prior to leaving the factory.

Up to 24 kV

6/10 (12) kV
6.35/11 (12) kV
8.7/15 (17.5) kV
12/20 (24) kV
12.7/22 (24) kV
18/30 (36) kV

400DR Dead-end receptacle

Fits over a bushing with a type B interface to provide 'dead-end' facility.
Is used with a 400BA restraint bail.

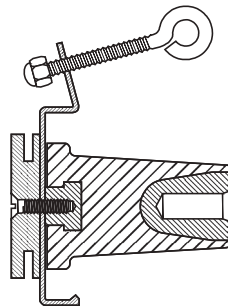


Ordering instructions

Order
400DR for 12 kV,
K400DR for 24 kV or
M400DR for 36 kV
applications.
Can be supplied with integral
earth lead: add -/G.

400SOP Stand-off plug

Is designed to support and 'dead-end' connectors with a type B interface when removed from equipment.

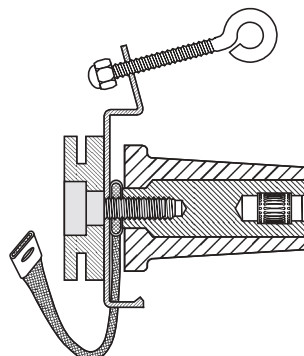


Ordering instructions

Order
400SOP for 12 kV,
K400SOP for 24 kV or
M400SOP for 36 kV
applications.

400GP Earthing plug

Is designed to support and earth connectors with a type B interface when removed from equipment.



Ordering instructions

Order
400GP for 12 kV, 24 or 36 kV
applications.