

## 676LRA INTERFACE D TEE CONNECTOR

Up to 24 kV - 1250 A

### Application

Separable tee connector designed to connect polymeric insulated cable to equipment (transformers, switch gear, motors...).

Also connects cable to cable, using the appropriate mating part.

### Technical characteristics

- A thick conductive EPDM jacket provides a total safe to touch screen.
- Each separable connector is tested for AC withstand and partial discharge prior to leaving the factory.

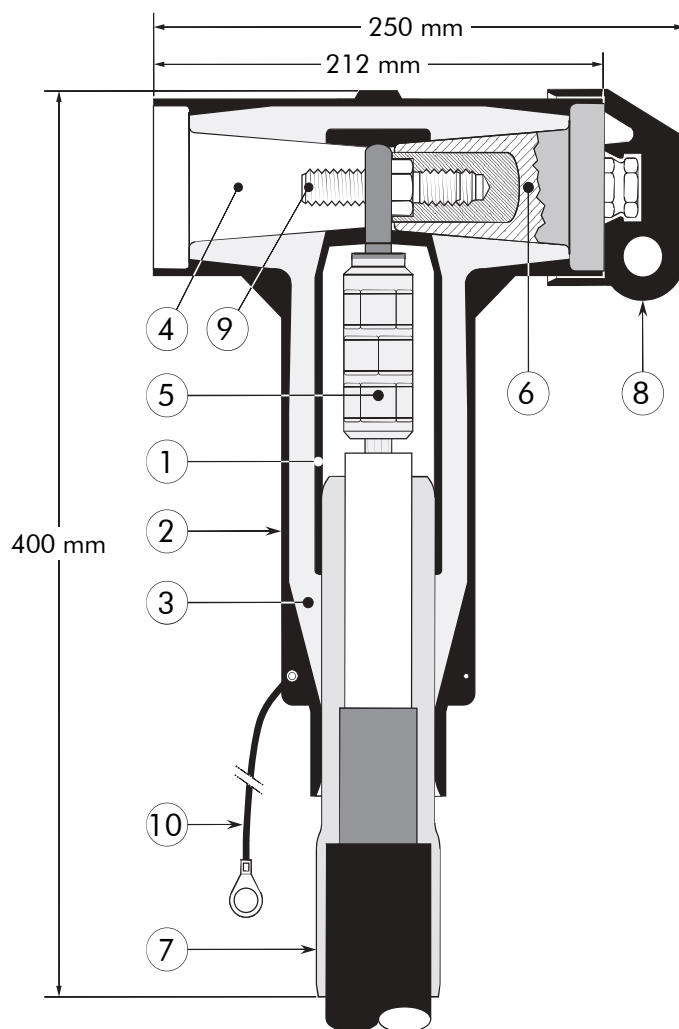
6/10 (12) kV  
6.35/11 (12) kV  
8.7/15 (17.5) kV  
12/20 (24) kV  
12.7/22 (24) kV

### Design

Separable connector comprising:

1. Conductive EPDM insert.
2. Conductive EPDM jacket.
3. Insulating EPDM layer moulded between the insert and the jacket.
4. Type D - 1250 A interface as described by CENELEC EN 50180 and 50181.
5. Conductor connector.
6. Basic insulating plug (with VD point).
7. Cable reducer.
8. Conductive rubber cap.
9. Threaded stud.
10. Earthing lead.

The screen break design enables cable outer sheath testing without removing or dismantling the connector.



### Specifications and standards

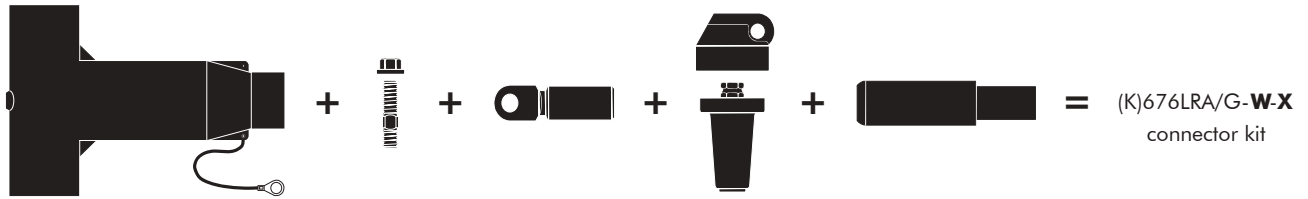
The separable connector 676LRA meets the requirements of CENELEC HD 629.1.

Separable connector type	Voltage $U_m$ (kV)	Current $I_r$ (A)	Conductor sizes (mm <sup>2</sup> )	
			min.	max.
676LRA/G	12	1250	50	630
K676LRA/G	24	1250	35	630

## Kit contents

The complete (K)676LRA tee connector kit comprises the following components:

The kit also comprises lubricant, wipers, installation instructions and crimp chart.



Connector housing  
(K)650BLR/G

Threaded  
stud + nut  
676SN

Conductor  
contact  
TBC-X

Basic insulating  
plug +  
rubber cap  
(K)676BIPA

Cable reducer  
611CA-W

= (K)676LRA/G-W-X  
connector kit

## Ordering instructions

Select the part number which gives the best centring to the cable core insulation diameter.  
Add a 'K' for use up to 24 kV.

**Table W**

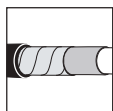
Ordering part number	Dia. over core insulation (mm)	
	min.	max.
676LRA/G-15-X	16.0	22.0
676LRA/G-19-X	20.0	26.5
676LRA/G-22-X	23.5	31.0
676LRA/G-27-X	28.5	37.5
676LRA/G-32-X	34.0	42.5
676LRA/G-37-X	39.0	48.5
676LRA/G-43-X	45.5	56.0

**Table X**

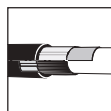
Conductor sizes (mm <sup>2</sup> )	Aluminium conductor		Copper conductor
	DIN hexagonal	Deep indent	DIN hexagonal
35	35(K)M-1 2-2	35KM-12-1	35(K)M-11-2
50	50(K)M-1 2-2	50(K)M-12-1	50(K)M-11-2
70	70(K)M-1 2-2	70(K)M-12-1	70(K)M-11-2
95	95(K)M-1 2-2	95(K)M-12-1	95(K)M-11-2
120	120(K)M-1 2-2	120(K)M-12-1	120(K)M-11-2
150	150(K)M-1 2-2	150(K)M-12-1	150(K)M-11-2
185	185(K)M-1 2-2	185(K)M-12-1	185(K)M-11-2
240	240(K)M-1 2-2	240(K)M-12-1	240(K)M-11-2
300	300(K)M-1 2-2	300(K)M-12-1	300(K)M-11-2
400	400(K)M-1 2-2	400(K)M-12-1	400(K)M-11-2
500	500(K)M-1 2-2	500(K)M-12-1	500(K)M-11-2
630	-	630(K)M-12-1	630(K)M-11-2

### Example:

The copper wire screened cable is 24 kV, 630 mm<sup>2</sup> stranded aluminium with a diameter over core insulation of 44.0 mm.  
Order a K676LRA/G-37-630KM-12-1 tee connector kit.



For use with copper tape screened cables.  
Order: Kit MT.



For use with Alupe or C 33-226 cables.  
Please contact our representative.



For use in potentially explosive atmospheres (for 12 kV max.).  
Order: -/ATEX.



For use with other cable types.  
Please contact our representative.



For outdoor applications.  
Order: +MWS.



Components can be ordered individually.