

440TB INTERFACE C TEE CONNECTOR

Up to 36 kV - 630 A

Application

Separable tee shape connector (bolted type) designed to connect polymeric insulated cable to equipment (transformers, switch gear, motors, ...). Also connects cable to cable when using the appropriate mating parts.

Technical characteristics

- The thick conductive EPDM jacket provides a total safe to touch screen which ensures safety for personnel.
- Each separable connector is tested for AC withstand and partial discharge prior to leaving the factory.

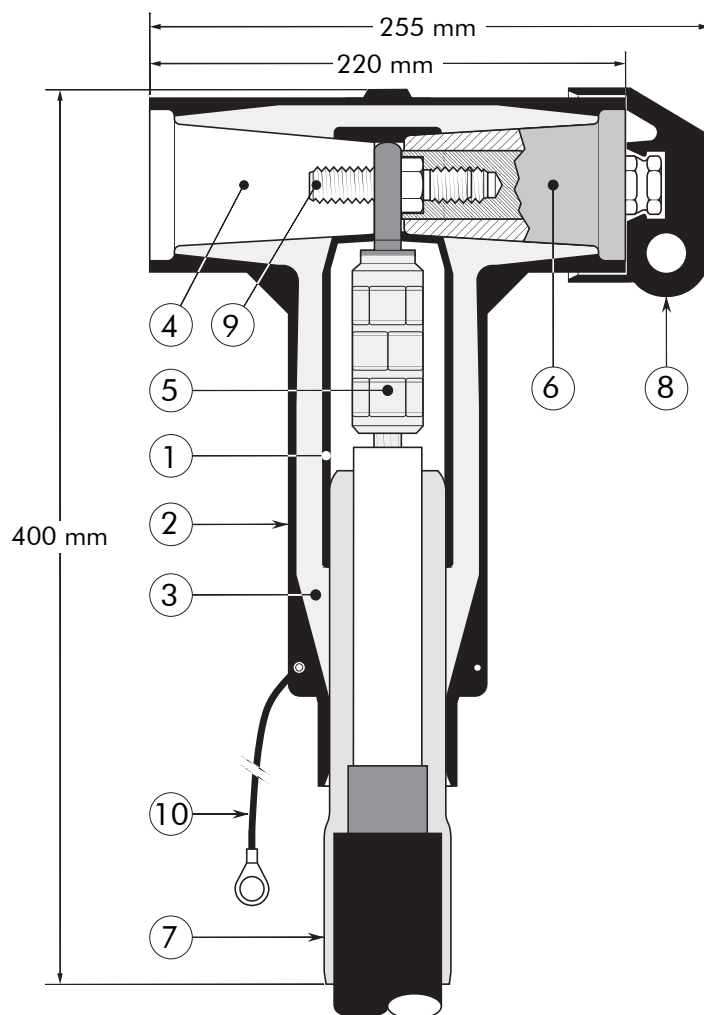
6/10 (12) kV
6.35/11 (12) kV
8.7/15 (17.5) kV
12/20 (24) kV
12.7/22 (24) kV
18/30 (36) kV

Design

Separable connector comprising:

1. Conductive EPDM insert.
2. Conductive EPDM jacket.
3. Insulating EPDM layer moulded between the insert and the jacket.
4. Type C - 630 A interface as described by CENELEC EN 50180 and 50181.
5. Conductor connector.
6. Basic insulating plug (with VD point).
7. Cable reducer.
8. Conductive rubber cap.
9. Clamping screw.
10. Earthing lead.

The screen break design enables cable outer sheath testing without removing or dismantling the connector.



Specifications and standards

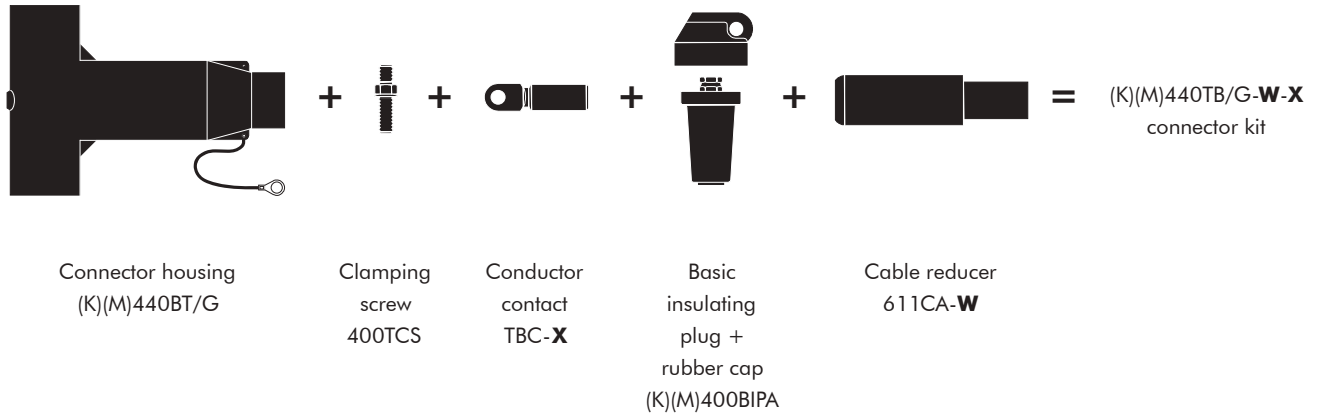
The separable connector 440TB meets the requirements of CENELEC HD 629.1.

Separable connector type	Voltage Um (kV)	Current Ir (A)	Conductor size (mm ²)	
			min.	max.
440TB/G	12	630	185	630
K440TB/G	24	630	185	630
M400TB/G	36	630	185	630

Kit contents

The complete (K)(M)440TB/G tee connector kit comprises the following components:

The kit also comprises lubricant, wipers, installation instructions and crimp chart.



Ordering instructions

To order the tee connector, select the ordering part number which gives you the best centring of your core insulation diameter and substitute **X** using table X, according to your conductor size and type. Add a 'K' for use up to 24 kV and add an 'M' for use up to 36 kV.

Table W

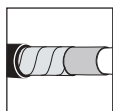
Ordering part number	Dia. over core insulation (mm)	
	min.	max.
440TB/G-22- X	23.5	31.0
440TB/G-27- X	28.5	37.5
440TB/G-32- X	34.0	42.5
440TB/G-37- X	39.0	48.5
440TB/G-43- X	45.5	56.0

Table X

Conductor size (mm ²)	Aluminium conductor		Copper conductor
	DIN hexagonal	Deep indent	DIN hexagonal
185	185(K)M-12-2	185KM-12-1	185(K)M-11-2
240	240(K)M-12-2	240KM-12-1	240(K)M-11-2
300	300(K)M-12-2	300KM-12-1	300(K)M-11-2
400	400(K)M-12-2	400KM-12-1	400(K)M-11-2
500	500(K)M-12-2	500KM-12-1	500(K)M-11-2
630	–	630KM-12-1	630(K)M-11-2

Example:

The copper wire screened cable is 36 kV, 240 mm² stranded aluminium with a diameter over core insulation of 37.0 mm. Order a M440TB/G-32-240(K)M-12-2 tee connector kit.



For use with copper tape screened cables.
Order: Kit MT.



For use in potentially explosive atmospheres (for 12 kV max.).
Order: -/ATEX.



For use with other cable types. Please contact our representative.



For outdoor applications.
Order: +MWS.



Components can be ordered individually.



When installed on an appropriate equipment bushing:
1250 A continuously