

430TB-630A INTERFACE C TEE CONNECTOR

Up to 24 kV - 630 A

Application

Separable tee shape connector (bolted type) designed to connect polymeric insulated cable to equipment (transformers, switch gear, motors, ...).

Also connects cable to cable when using the appropriate mating parts.

Technical characteristics

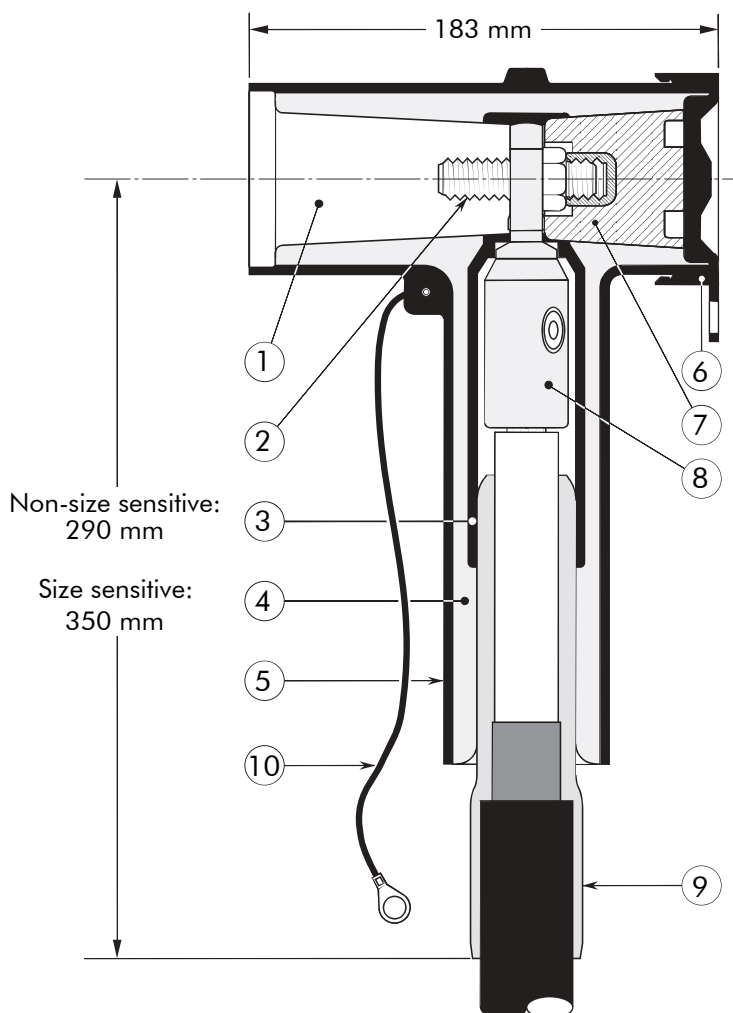
- A thick conductive EPDM jacket provides a total safe to touch screen.
- Each separable connector is tested for AC withstand and partial discharge prior to leaving the factory.

6/10 (12) kV
6.35/11 (12) kV
8.7/15 (17.5) kV
12/20 (24) kV
12.7/22 (24) kV

Design

1. Type C - 630 A interface as described by CENELEC EN 50180 and 50181.
2. Clamping screw.
3. Conductive EPDM insert.
4. Insulating EPDM layer moulded between the insert and the jacket.
5. Conductive EPDM jacket.
6. Conductive rubber cap.
7. Basic insulating plug (standard version without voltage detection point).
8. Conductor connector
9. Cable reducer.
10. Earthing lead.

The screen break design enables cable outer sheath testing without removing or dismantling the connector.



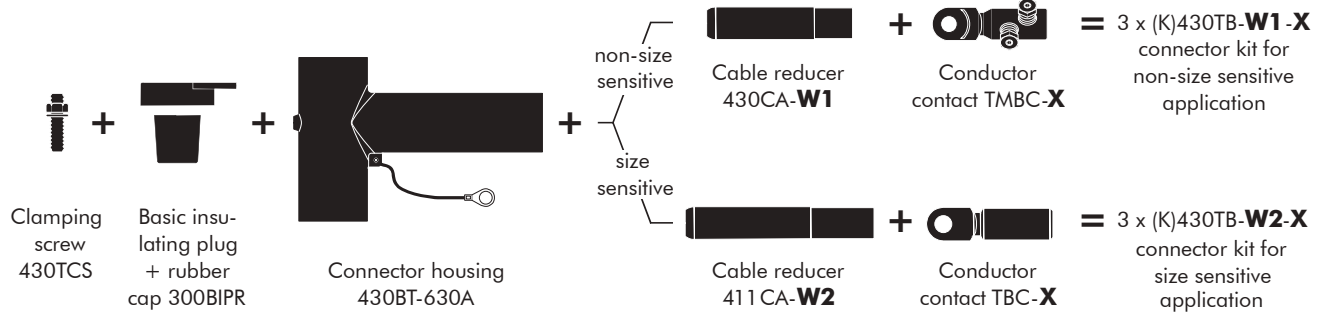
Specifications and standards

The separable connector 430TB-630A meets the requirements of CENELEC HD 629.1.

Separable connector type	Voltage U_m (kV)	Current I_r (A)	Conductor size (mm ²)	
			min.	max.
430TB-630A	12	630	35	300
K430TB-630A	24	630	35	300

Kit contents

The complete (K)430TB-630A tee connector kit comprises 3 x the following components:



The kit also comprises lubricant, wipers, water sealing mastic, installation rod, installation instructions and crimp chart.

Ordering instructions

To order the tee connector, use the tables beside to substitute for **W1/W2** and **X** in the formulas.

- From table W1 or W2:** select the symbol which gives the best centring of your core insulation diameter.
- From table X:** according to your conductor size and type, select the designation which completes the part number.

Voltage Um (kV)	Non-size sensitive	Size sensitive
12	3 x 430TB-W1-X	3 x 430TB-W2-X
24	3 x K430TB-W1-X	3 x K430TB-W2-X

Table W1

Dia. over core insulation (mm)		W1
min.	max.	
19.0	32.6	18

Table W2

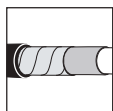
Dia. over core insulation (mm)		W2
min.	max.	
12.0	17.5	11
16.0	22.0	15
20.0	26.5	19
23.5	31.0	22
26.5	32.5	25
28.5	37.5	27

Table X

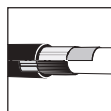
Conductor size (mm ²)	Aluminium conductor			Copper conductor	
	DIN hexagonal	Deep indent	Bolted	DIN hexagonal	Bolted
35	35(K)M-10-2	35(K)M-10-1		35(K)M-11-2	
50	50(K)M-10-2	50(K)M-10-1	-	50(K)M-11-2	-
70	70(K)M-10-2	70(K)M-10-1		70(K)M-11-2	
95	95(K)M-10-2	95(K)M-10-1		95(K)M-11-2	
120	120(K)M-10-2	120(K)M-10-1		120(K)M-11-2	
150	150(K)M-10-2	150(K)M-10-1	95.240-14-5	150(K)M-11-2	95.240-14-5
185	185(K)M-10-2	185(K)M-10-1		185(K)M-11-2	
240	240(K)M-10-2	240(K)M-10-1		240(K)M-11-2	
300	300(K)M-10-2	-	-	300(K)M-11-2	-

Example:

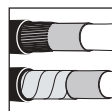
The cable is 24 kV, 150 mm² compact stranded copper with a diameter over core insulation of 27.5 mm. Order 3 x K430TB-18-95.240-14-5 for a non-size sensitive application or 3 x K430TB-22-150(K)M-11-2 for a size sensitive application.



For use with copper tape screened cables. Order: Kit MT.



For use with Alupe or C 33-226 cables. Please contact our representative.



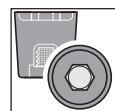
For use with easy strip semi-conductive screened cables. Order: Field control mastic (type MFC).



For use with other cable types. Please contact our representative.



For outdoor applications. Order: +MWS.



Basic insulating plug also available with a voltage detection point. Order: - /VD.