

## 400TB INTERFACE C TEE CONNECTOR

Up to 41.5 kV - 630 A

### Application

Separable tee shape connector (bolted type) designed to connect polymeric insulated cable to equipment (transformers, switch gear, motors, ...). Also connects cable to cable when using the appropriate mating parts.

### Technical characteristics

- The thick conductive EPDM jacket provides a total safe to touch screen which ensures safety for personnel.
- Each separable connector is tested for AC withstand and partial discharge prior to leaving the factory.

6/10	(12)	kV
6.35/11	(12)	kV
8.7/15	(17.5)	kV
12/20	(24)	kV
12.7/22	(24)	kV
18/30	(36)	kV
19/33	(36)	kV
20.8/36	(41.5)	kV

### Design

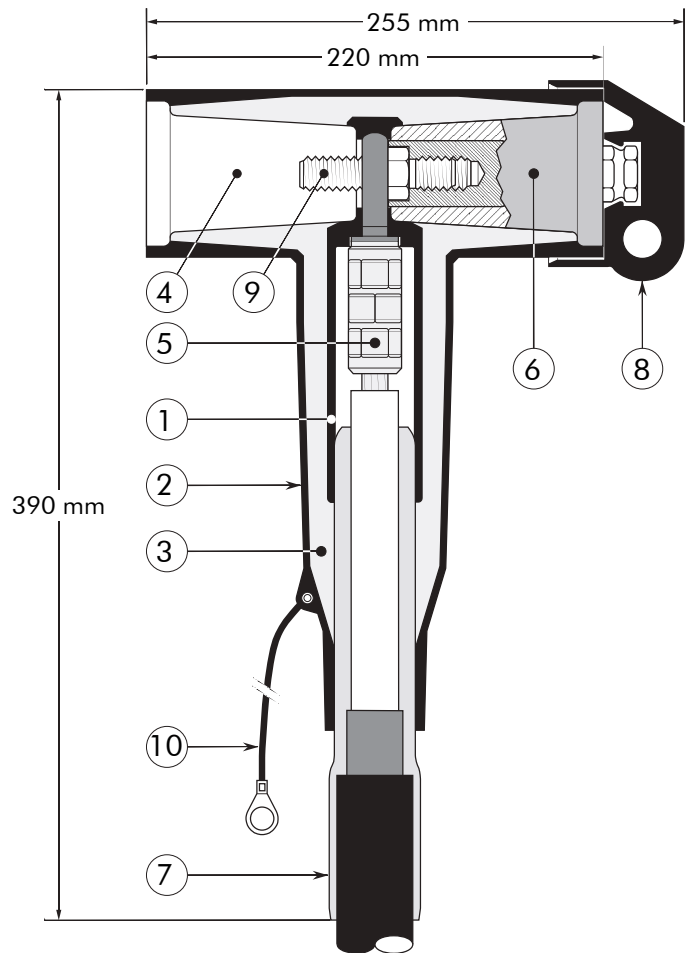
Separable connector comprising:

- Conductive EPDM insert.
- Conductive EPDM jacket.
- Insulating EPDM layer.
- Type C - 630 A interface as described by CENELEC EN 50180 and 50181.
- Conductor connector.
- Basic insulating plug (with VD point).
- Cable reducer.
- Conductive rubber cap.
- Clamping screw.
- Earthing lead.

The screen break design enables cable outer sheath testing without removing or dismantling the connector.

### Specifications and standards

The separable connector 400TB meets the requirements of CENELEC HD 629.1 S1.

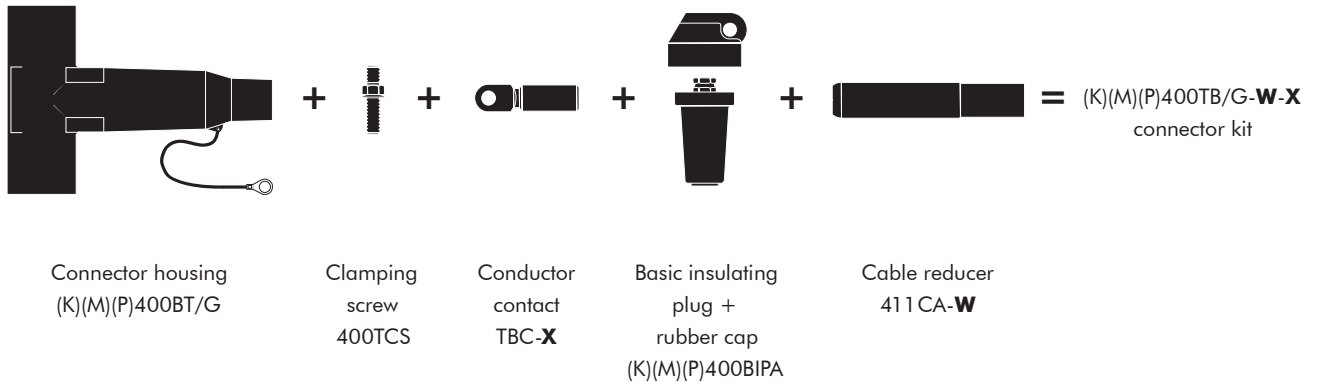


Separable connector type	Voltage Um (kV)	Current Ir (A)	Conductor size (mm <sup>2</sup> )	
			min.	max.
400TB/G	12	630	35	300
K400TB/G	24	630	35	300
M400TB/G	36	630	35	240
P400TB/G	41.5	630	35	240

## Kit contents

The complete (K)(M)(P)400TB/G tee connector kit comprises the following components:

The kit also comprises lubricant, wipers, installation instructions and crimp chart.



## Ordering instructions

To order the tee connector, select the ordering part number which gives you the best centring of your core insulation diameter and substitute **X** using table X, according to your conductor size and type. Add a 'K' for use up to 24 kV, an 'M' for use up to 36 kV or add a 'P' for use up to 41.5 kV.

### Example:

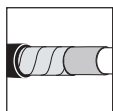
The copper wire screened cable is 36 kV, 150 mm<sup>2</sup> stranded copper with a diameter over core insulation of 32.5 mm. Order a M400TB/G-27-150(K)M-11-2 tee connector kit.

**Table W**

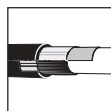
Ordering part number	Dia. over core insulation (mm)	
	min.	max.
400TB/G-11-X	12.0	17.5
400TB/G-15-X	16.0	22.0
400TB/G-19-X	20.0	26.5
400TB/G-22-X	23.5	31.0
400TB/G-25-X	26.5	32.5
400TB/G-27-X	28.5	37.5

**Table X**

Conductor size (mm <sup>2</sup> )	Aluminium conductor		Copper conductor
	DIN hexagonal	Deep indent	DIN hexagonal
35	35(K)M-12-2	35KM-12-1	35(K)M-11-2
50	50(K)M-12-2	50KM-12-1	50(K)M-11-2
70	70(K)M-12-2	70KM-12-1	70(K)M-11-2
95	95(K)M-12-2	95KM-12-1	95(K)M-11-2
120	120(K)M-12-2	120KM-12-1	120(K)M-11-2
150	150(K)M-12-2	150KM-12-1	150(K)M-11-2
185	185(K)M-12-2	185KM-12-1	185(K)M-11-2
240	240(K)M-12-2	240KM-12-1	240(K)M-11-2
300	300(K)M-12-2	300KM-12-1	300(K)M-11-2



For use with copper tape screened cables.  
Order: Kit MT.



For use with AluPe or C 33-226 cables.  
Please contact our representative.



For use in potentially explosive atmospheres (for 12 kV max.).  
Order: -/ATEX.



For use with other cable types.  
Please contact our representative.



For outdoor applications.  
Order: +MWS.



Components can be ordered individually.