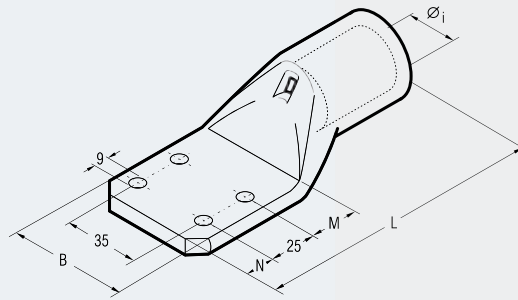


COPPER TUBE LUGS 4-ESI FIXING



A-4ESI



A-4ESI series lugs are made from high purity electrolytic copper tube, annealed and tin plated. The four hole stud fixing in accordance with E.A. specifications ensure compatibility with most transformer fixing arrangements.

Conductor Size sqmm	Ref.	Dimensions mm					Quantity Box/Bag	Hydraulic Tools		
		Øi	B	M	N	L		HT 51 RH 50 B 51	HT 81J RHU 81	HT 120 and tools and heads with 130 kN crimping force
185	A 37-4ESI	19,2	61	20	15	124	20/10			
240	A 48-4ESI	21,1	61	20	15	128	20/10			
300	A 60-4ESI	23,7	61	20	15	133	20/10			
400	A 80-4ESI	27,0	61	20	15	134	15/5			
500	A 100-4ESI	30,3	61	20	15	139	10/5			
630	A 120-4ESI	33,4	61	20	15	144	10/5			
800	A 160-4ESI	38,0	61	20	15	158	8/4			

