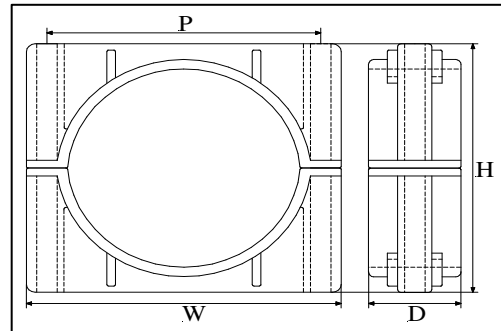




Two Hole Cable Clamp Data Sheet (2F Range)

Two Hole Cable Clamps are available in Black Polypropylene (B) *MDS03 Datasheet or Black Flame Retardant, Zero Halogen, Phosphorus Free Nylon (LSF) *MDS02 Datasheet.

* MDS02 and MDS03 Data Sheets are available on request.



Selection Table for Two Hole Cable Clamps

Part No	Material Suffix	Cable Dia. Range mm	Dimensions				Fixing Hole Clearance mm	Pack Qty.	Weight g	
			W mm	H mm	D mm	P mm			B	LSF
2F-07	B or LSF	38-46	92	60	54	68	10	25	73.0	91.0
2F-08	B or LSF	46-51	103	71	54	79	10	25	80.9	109.9
2F-09	B or LSF	51-57	103	76	54	79	10	25	95.0	119.0
2F-10	B or LSF	57-64	103	82	54	79	10	25	89.1	122.5
2F-11	B or LSF	64-70	130	89	54	106	10	15	116.0	157.3
2F-1200	B or LSF	70-76	130	95	54	106	10	15	124.0	167.3
2F-1201	B or LSF	76-83	130	100	54	106	10	10	126.0	170.0
2F-1202	B or LSF	83-90	130	108	54	106	10	10	128.0	172.0
2F-131	B or LSF	90-97	150	115	54	126	10	5	152.0	208.0
2F-132	B or LSF	97-105	150	122	54	126	10	5	156.0	208.0
2F-141	B or LSF	105-112	161	130	54	135	10	5	179.5	238.8
2F-142	B or LSF	112-120	169	138	54	143	10	5	193.5	261.0
2F-151	B or LSF	120-128	177	148	54	151	10	5	212.2	280.0
2F-152	B or LSF	128-135	185	158	54	158	10	5	228.5	304.4

Testing Information

Two Hole Cable Clamps have been tested in line with the new European Standard of "Cable"					
Properties	BS EN 50368:2003 Classification Clause	Units / Classification B	Units / Classification LSF	Test Data B	Test Data LSF
Cleat Type	6.1, 6.1.2	Non Metallic	Non Metallic	-	-
Impact Resistance	6.2, 6.2.5, 9.3	Very Heavy Classification (>6.7kg @ 300mm)	Very Heavy Classification (>6.7kg @ 300mm)	Pass	Pass
Resistance to Electro Mechanical Force	6.3	Refer to Ellis Patents.	kA @ 600mm Centres. Triplex plus SFT Insert (Category1)	Refer to Ellis Patents.	78 Peak 35 RMS
Temperature for Permanent Application	6.4	°C	°C	-40 to 40	-40 to 60
Needle Flame Test	6.5, 10.0	Application Time (seconds)	Application Time (seconds)	>30	>120
Lateral Load Test	9.2	Newtons (N)	Newtons (N)	7330	18400
Axial Movement Test	9.5	Newtons (N)	Newtons (N)	1220	1200

