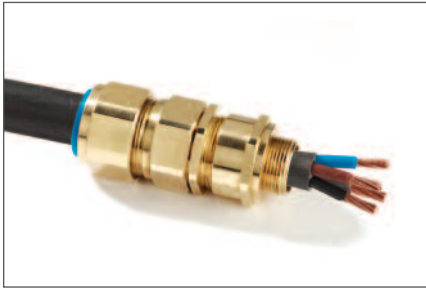




E1W CABLE GLAND



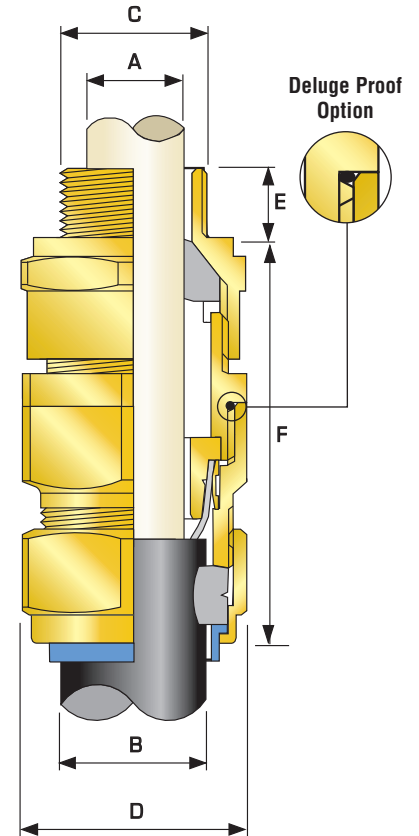
E1W Industrial Cable Gland

CMP E1W type brass indoor and outdoor cable gland for use with Single Wire Armour (SWA) cable providing an environmental seal on the cable inner sheath and the cable outer sheath. The cable gland provides mechanical cable retention and electrical continuity via armour wire termination. A detachable armour cone and AnyWay universal clamping ring arrangement allows the cable to be easily disconnected from the equipment, for maintenance and change out etc. This feature also facilitates remote make off procedures when the termination is to be conducted in confined spaces or in areas of restricted access. Separate tightening actions for the inner displacement seal and the armour termination affords maximum control over the pressure applied to the cable inner bedding.

The CMP E1W range of industrial cable glands is designed and tested to BS 6121:Part 1:1989, meets or surpasses the requirements of EN 50262 :1999, and is produced from Brass grade CuZn39Pb3 (CW614N) to EN12168. Other materials including Aluminium are also available in this standard design.

TECHNICAL DATA

Type	E1W
Design Specification	BS 6121:Part 1:1989, EN 50262:1999
EN 50262 Mechanical Classifications	Retention = Class B, Impact = Level 8,
EN 50262 Electrical Classifications	Category A without use of an Earth Tag and Category B with an Earth Tag.
GOST R Certificate Number	POCC GB. ГБ05.H00110
GOST K Certificate Number	KZ7500052.05.01.00063
RoK Permit for Use Number	08-067693
Lloyds Approval Number	01/00171
ABS Approval Number	01-LD 234401-PDA
Continuous Operating Temperature	-60°C to +150°C
Ingress Protection Rating	IP66 (IP67/IP68 also available)
Standard Gland Material	Brass
Alternative Gland Material	Electroless Nickel Plated Brass, Stainless Steel, Aluminium
Seal Material	CMP Formulated Thermoplastic Elastomer
Cable Type	Single Wire Armour (SWA)
Armour Clamping	Detachable Armour Cone & AnyWay Universal Clamping Ring
Sealing Technique	CMP Inner Displacement Seal & Unique CMP "LRS"™ Outer Seal (Load Retention Seal)
Sealing Area(s)	Cable Inner Bedding & Cable Outer Sheath
Optional Accessories	Adaptor/Reducer, Earth Tag, Entry Thread Seal, Locknut, Serrated Washer, Shroud



Note: Deluge proof version available

Cable Gland Selection Table

Cable Gland Size	Available Entry Threads 'C'			Minimum Thread Length 'E'	Cable Bedding Diameter 'A'		Overall Cable Diameter 'B'		Armour Range †		Across Flats 'D'	Across Corners 'D'	Nominal Protusion Length 'F'	Ordering Reference (Brass Metric) #	PVC Shroud Reference*	Cable Gland Weight (Kgs)
	Standard	Option			Min	Max	Min	Max	Min	Max						
	Metric	NPT	NPT													
20S/16	M20	1/2"	3/4"	10.0	3.1	8.7	6.1	11.5	0.9	1.0	24.0	26.6	63.0	20S16E1W1RA	PVC04	0.163
20S	M20	1/2"	3/4"	10.0	6.1	11.7	9.5	15.9	0.9	1.25	24.0	26.6	63.0	20SE1W1RA	PVC04	0.163
20	M20	1/2"	3/4"	10.0	6.5	14.0	12.5	20.9	0.9	1.25	30.5	33.3	67.0	20E1W1RA	PVC06	0.217
25S	M25	3/4"	1"	10.0	11.1	20.0	14.0	22.0	1.25	1.6	37.5	40.5	78.0	25SE1W1RA	PVC09	0.345
25	M25	3/4"	1"	10.0	11.1	20.0	18.2	26.2	1.25	1.6	37.5	40.5	78.0	25E1W1RA	PVC09	0.345
32	M32	1"	1-1/4"	15.0	17.0	26.3	23.7	33.9	1.6	2.0	46.0	51.0	78.0	32E1W1RA	PVC11	0.484
40	M40	1-1/4"	1-1/2"	15.0	22.0	32.2	27.9	40.4	1.6	2.0	55.0	61.0	83.0	40E1W1RA	PVC15	0.700
50S	M50	1-1/2"	2"	15.0	29.5	38.2	35.2	46.7	2.0	2.5	60.0	66.5	78.0	50SE1W1RA	PVC18	0.800
50	M50	2"	2-1/2"	15.0	35.6	44.1	40.4	53.1	2.0	2.5	70.0	78.6	81.0	50E1W1RA	PVC21	0.830
63S	M63	2"	2-1/2"	15.0	40.1	50.0	45.6	59.4	2.0	2.5	75.0	83.2	93.0	63SE1W1RA	PVC23	1.415
63	M63	2-1/2"	3"	15.0	47.2	56.0	54.6	65.9	2.0	2.5	80.0	89.0	95.0	63E1W1RA	PVC25	1.514
75S	M75	2-1/2"	3"	15.0	52.8	62.0	59.0	72.1	2.0	2.5	89.0	101.6	103.0	75SE1W1RA	PVC28	2.199
75	M75	3"	3-1/2"	15.0	59.1	68.0	66.7	78.5	2.0	2.5	99.0	111.1	110.0	75E1W1RA	PVC30	2.770
90	M90	3"	3-1/2"	15.0	66.6	79.4	76.2	90.4	3.15	3.15	114.0	128.6	136.0	90E1W1RA	PVC32	4.478
100	M100	4"	-	15.0	76.0	91.0	89.1	101.5	3.15	4.0	123.0	138.0	145.0	100E1W1RA	150/50HST	4.700
115	M115	-	-	15.0	86.0	98.0	101.3	110.3	3.15	4.0	133.4	147.6	160.0	115E1W1RA	180/60HST	5.300
130	M130	-	-	15.0	97.0	115.0	114.0	123.3	3.15	4.0	146.1	161.9	185.0	130E1W1RA	180/60HST	5.900

All dimensions in millimetres

Note: \*LSF Shrouds also available on request. † Alternative armour clamping range available for non-standard armour sizes. Marine approvals including Lloyds, DNV & ABS are also available from CMP Products. # Other thread forms are available.