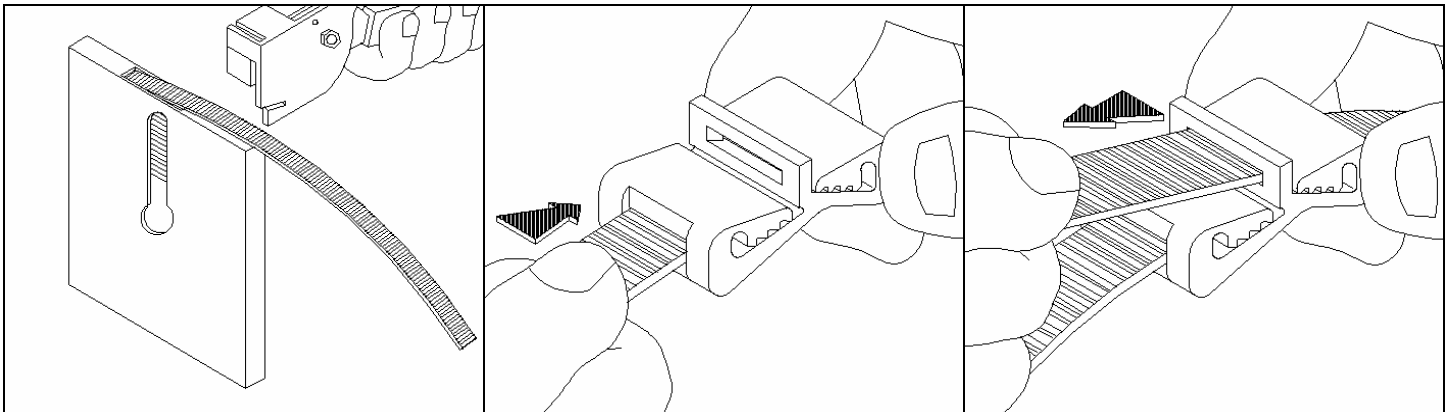


Installation Instructions



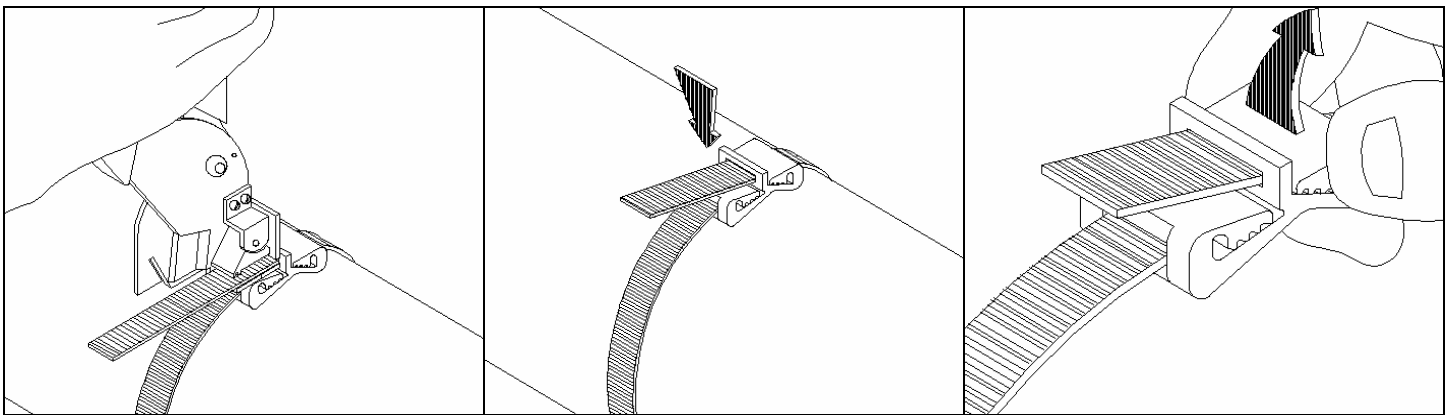
Q-Band



1. Cut Q-Band to length, allow 2-3 inches of excess material for tool to grip the band.

2. Fully insert one end of Q-Band into self-locking lower end of Q-Clip with ribs facing up until it stops.

3. Wrap Q-Band around object and push loose end through higher side of Q-Clip. Pull through at least 2-3 inches for tool to grip.



4. Tighten with Q-Gun.

5. Cut end flush for a lower profile or leave long to re-use.

7. To loosen or undo, lift the back locking section off of band ribs to release.

Refer to website for warranty information: <http://www.band-it-idex.com/warranty.html>