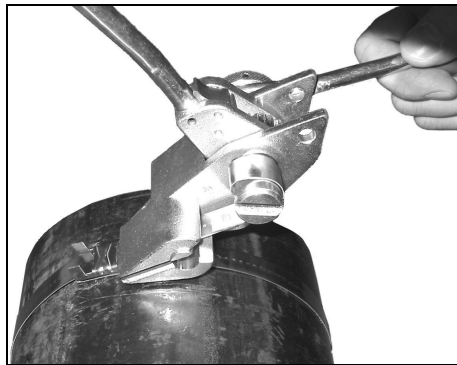
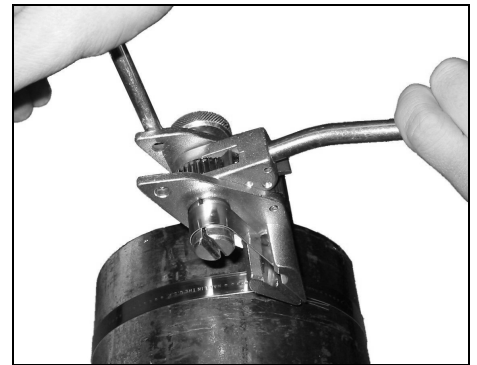


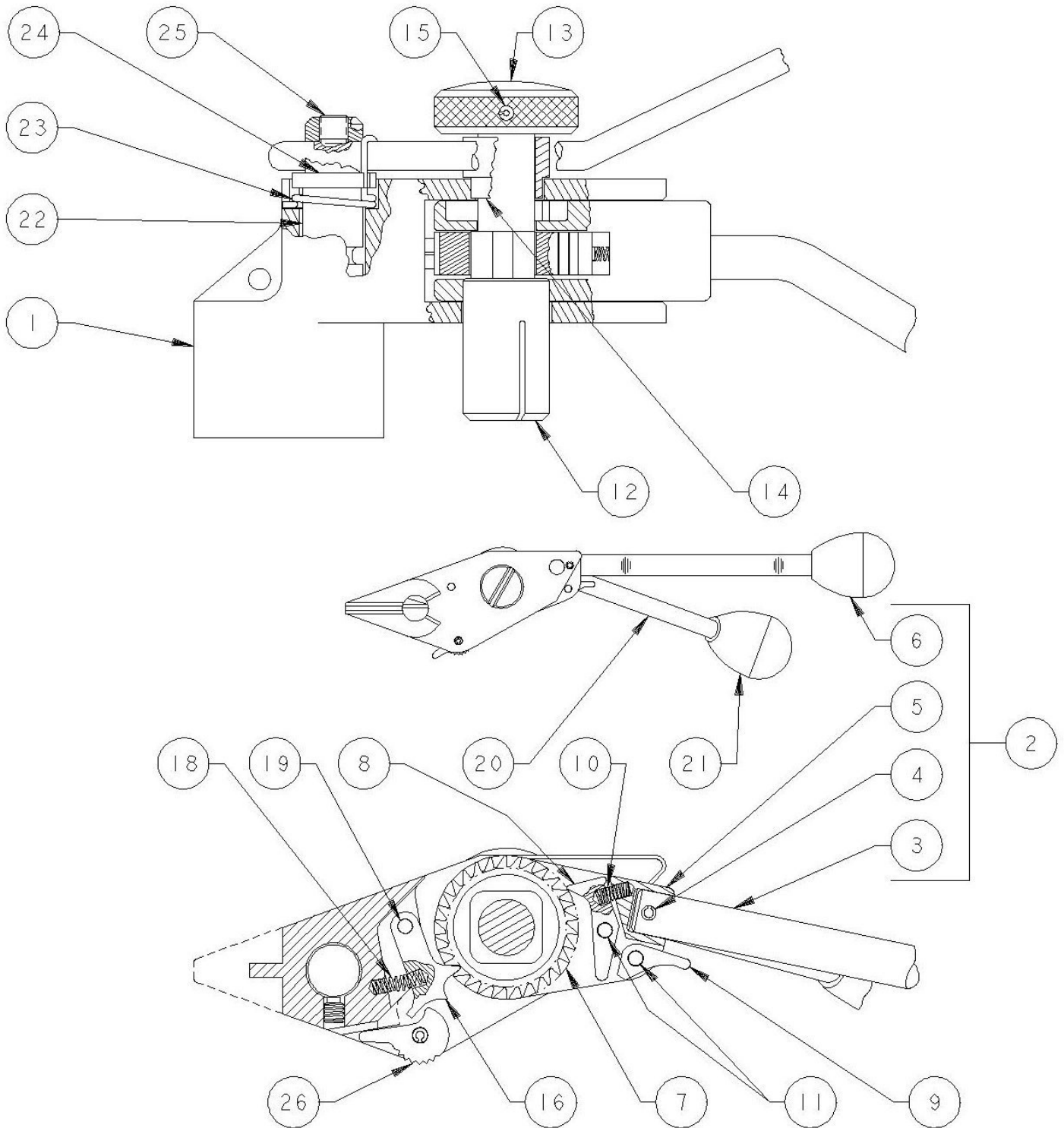
1. Place end section of band in open slot of tool nose and winding mandrel.



2. To apply tension to band, move ratchet handle back and forth. Hold tool with cutter handle.



3. To complete clamp, roll tool forward and trim band with cutter and tap down ears of clip.



C085 Parts List



C08569 Bantam Hand Tool

| | | | |
|---|-------------|------|------------------------------------|
| 26 | C07187 | 1 | CAM, HOLDING PAWL |
| 25 | C72388 | 1 | SCREW, SET, 1/4-28 X 3/16 LONG |
| 24 | C09187 | 1 | COVER, CUTTER SPRING, FINISHED |
| 23 | C09287 | 1 | SPRING, CUTTER |
| 22 | C08787 | 1 | BLADE, CUTTER, FINISHED |
| 21 | C10287 | 1 | KNOB, CUTTER HANDLE |
| 20 | C08987 | 1 | HANDLE, CUTTER, STRAP, FINISHED |
| 19 | C09487 | 1 | PIN, GROOVED, 1/8 DIA X 1 LONG |
| 18 | C09587 | 2 | SPRING, HOLDING PAWL |
| 17 | ----- | - | ----- |
| 16 | C07387 | 1 | PAWL, HOLDING, RIGHT |
| 15 | C11287 | 2 | PIN, SPRING, 1/8 DIA X 1.25 LONG |
| 14 | C08387 | 1 | SPACER, FINISHED |
| 13 | C08487 | 1 | KNOB, WINDING, FINISHED |
| 12 | C08687 | 1 | MANDREL, WINDING, FINISHED |
| 11 | C09387 | 2 | PIN, GROOVED, 1/8 DIA X .75 LONG |
| 10 | C09687 | 1 | SPRING, TENSION PAWL |
| 9 | C07687 | 1 | CAM, TENSION PAWL |
| 8 | C07487 | 1 | PAWL, TENSION |
| 7 | C07887 | 1 | WHEEL, RATCHET |
| 6 | C10187 | 1 | ...KNOB, STRAP |
| 5 | C07787 | 1 | ...HOUSING, RATCHET |
| 4 | J02887 | 1 | ...PIN, SPRING, 1/8 DIA X 3/4 LONG |
| 3 | C08087 | 1 | ...RATCHET HANDLE - STRAP |
| 2 | C10987 | 1 | HANDLE/HOUSING ASSEMBLY |
| 1 | C06987 | 1 | BODY, FINISHED |
| ITEM | PART NUMBER | QTY. | DESCRIPTION |
| C085 BAND-IT BANTAM STRAPPING TOOL, REPAIR PARTS LIST | | | |

Warranty



C08569
Bantam Hand Tool

Refer to website for warranty information: <http://www.band-it-idex.com/warranty.html>

COVERED UNDER PATENT # 4.570,340



WWW.CABLEJOINTS.CO.UK
THORNE & DERRICK UK
TEL 0044 191 490 1547 FAX 0044 477 5371
TEL 0044 117 977 4647 FAX 0044 977 5582
WWW.THORNEANDDERRICK.CO.UK