

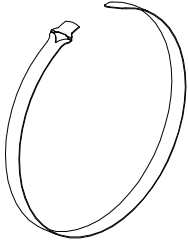
Installation Instructions



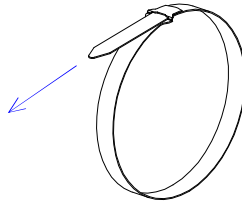
BAND-LOK Ties

Warning:

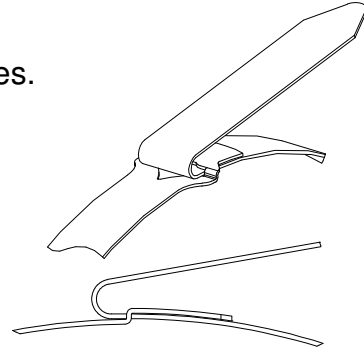
Always wear safety glasses when assembling and tensioning ties.



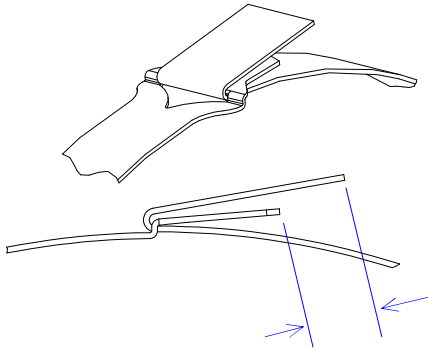
2. Wrap tie around object. Insert tail end of tie through slot at opposite end.



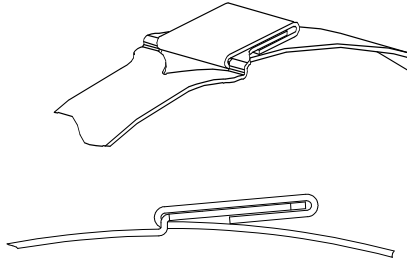
3. With needle nose pliers pull tie to desired tension.



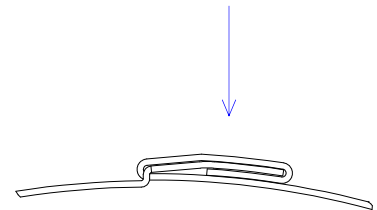
1. Bend tail back over the hood.



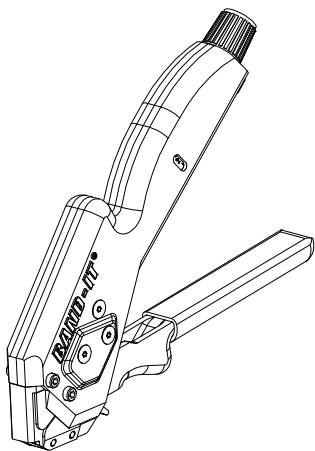
4. Using tin snips cut tail end so that approximately 1/4" extends out from the hood.



5. With needle nose pliers tuck tail end under the hood (bend hood up slightly if necessary).



6. Tap the tail and hood down lightly for a lower profile.



For consistent automatic tensioning of multiple ties, use the A95079 hand tool. This tool will insure consistency by automatically cutting off after a desired tension is reached.

Refer to website for warranty information:
<http://www.band-it-idex.com/warranty.html>



WWW.CABLEJOINTS.CO.UK
THORNE & DERRICK UK
TEL 0044 191 490 1547 FAX 0044 477 5371
TEL 0044 117 977 4647 FAX 0044 977 5582
WWW.THORNEANDDERRICK.CO.UK