

Current Limiting Fuses, CEF

Rated voltage: 3,6/7,2-36 kV

Rated current: 6-200 A

Catalogue 1YMB631080-en



- Low minimum breaking current
- Low power losses, especially suitable in compact switchgear and ring main units
- High breaking capacity
- High current limitation
- Type tested acc. to IEC 60282-1 (IEC 282-1)

- Dimensions acc. to IEC 60282-1 type I and type III
- For indoor and outdoor use
- The fuse link is equipped with a combined indicator-and striker system, which is activated immediately when the fuse element melts. Acc. IEC 60282-1 (IEC 282-1)

Choice of fuse links for protection of transformers

Choice of rated voltage U_N :

The rated voltage of the fuse links must be equal to, or higher than the operating line voltage.

By choosing the fuse link rated voltage considerably higher than the line voltage, the maximum arc voltage must not exceed the insulation level of the network.

Choice of rated current I_N :

To obtain the best possible current limitation, and thereby also protection, I_N must be chosen as low as possible compared to the rated current of the object to be protected. However, the following limitations must be taken into consideration:

- the largest load current must not exceed I_N .
- cooling conditions (e.g. in compact switchgear).
- in rush current of off load transformers.
- starting currents of motor circuits.

Rated Voltage [kV]	Rated Voltage [kV]	e [mm]
3,6 /7,2	6, 10, 16, 25, 40, 50, 63, 80, 100	192 or 292
3,6 /7,2	125, 160, 200	292 or 367
12	6, 10, 16, 20, 25, 31.5, 40, 50, 63, 80, 100	292 or 442
12	125, 160, 200	442
17.5	6, 10, 16, 20, 25, 31.5, 40, 63	292, 367 or 442
17.5	80, 100, 125	442
17,5	100	367
24	6, 10, 16, 20, 25, 31.5, 40, 50, 63	442
24	80, 100, 125	442 or 537
27	6, 10, 16, 25, 40, 63	442
27	80, 100	537
36	6, 10, 16, 25, 40	537

Fuse base type UCE

Type	Rated voltage [kV]	Current ratings [A]	Fuse length [mm]
UCE 7,2	3,6 /7,2	6-100	192
UCE 12	3,6 /7,2	125-200	292
	12	6-100	
UCE 12 L	12	6-200	442
UCE 17,5	17,5	6-63	292
UCE 24	17,5	6-125	442
	24	6-125	
UCE 24 L	24	80-125	537
UCE 36	36	6-40	537

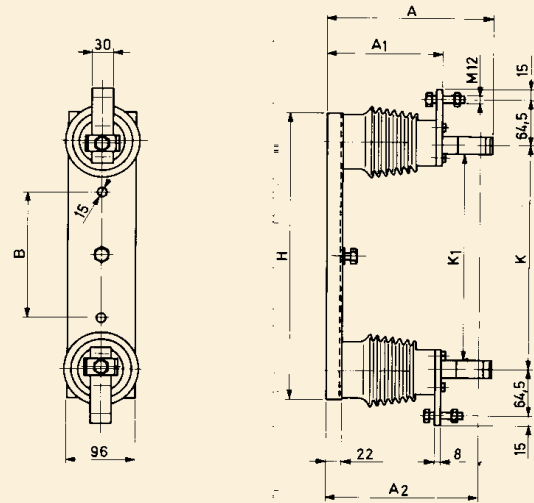


ABB is working to continuous improve the products. Therefore we reserve the right to change design, dimension and data without prior notice.

ABB

ABB Sp. z o.o.

Power Technologies Division

ul. Leszno 59

06-300 Przasnysz, Poland

Phone: (+48 22) 51 52 838, 51 52 831

(+48 29) 75 33 233, 75 33 240

Fax: +48 22 51 52 659, +48 29 75 33 327

e-mail: export.plzwa@pl.abb.com

www.abb.com

T&D

CABLE JOINTS, CABLE TERMINATIONS, CABLE GLANDS, CABLE CLEATS
FEEDER PILLARS, FUSE LINKS, ARC FLASH, CABLE ROLLERS, CUT-OUTS

11KV 33KV CABLE JOINTS & CABLE TERMINATIONS
FURSE EARTHING

www.cablejoints.co.uk

Thorne and Derrick UK

Tel 0044 191 490 1547 Fax 0044 191 477 5371
Tel 0044 117 977 4647 Fax 0044 117 9775582